

PMC-OPTO32A

User's Manual

24 Input Bits

8 Output Bits

Opto Isolator Board

General Standards Corporation

8302A Whitesburg Drive

Huntsville, AL 35802

Phone: (256) 880-8787

Fax: (256) 880-8788

URL: www.generalstandards.com

E-mail: support@generalstandards.com

PREFACE

General Standards Corporation

Preliminary, Revised: July 20, 2000

Copyright (C) 2000 **General Standards Corp.**

Additional copies of this manual or other literature may be obtained from:

General Standards Corporation

8302A Whitesburg Dr.

Huntsville, Alabama 35802

Tele: (256) 880-8787

FAX: (256) 880-8788

E-mail: support@generalstandards.com

The information in this document is subject to change without notice.

General Standards Corp. makes no warranty of any kind with regard to this material, including, but not limited to, the implied warranties of merchantability and fitness for a particular purpose. Although extensive editing and reviews are performed before release to ECO control, **General Standards Corp.** assumes no responsibility for any errors that may exist in this document. No commitment is made to update or keep current the information contained in this document.

General Standards Corp. does not assume any liability arising out of the application or use of any product or circuit described herein, nor is any license conveyed under any patent rights or any rights of others.

General Standards Corp. assumes no responsibility for any consequences resulting from omissions or errors in this manual, or from the use of information contained herein.

General Standards Corp. reserves the right to make any changes, without notice, to this product to improve reliability, performance, function, or design.

All rights reserved

No part of this document may be copied or reproduced in any form or by any means without prior written consent of **General Standards Corp.**

This user's manual provides information on the specifications, theory of operation, register level programming, installation of the board and information required for customized hardware/software development.

RELATED PUBLICATIONS

The following manuals and specifications provide the necessary information for in depth understanding of the specialized parts used on this board.

EIA Standard for the RS-422A Interface (EIA order number EIA-RS-422A)

PCI Local Bus Specification Revision 2.1 June 1, 1995. Questions regarding the PCI specification be forwarded to:

PCI Special Interest Group
P.O. Box 14070
Portland, OR 97214
(800) 433- 5177 (U.S.)
(503) 797-4207 (International)
(503) 234-6762 (FAX)

PMC-OPTO32A Documentation History

1. Alterations for PMC-OPTO32A Board Assembly.
2. March 8, 2001 – Rev A - Added Company name and Related Materials Pages. Added Footers.
3. May 23, 2001 – Rev B - Updated Board Layout to include Voltage Regulator.
4. March 13, 2007 – Rev C - Marked Output Pull-up Resistor as Optional. Corrected High Current – Diode Clamped error. Added Current Limit notes on Output Circuit.
5. October 06, 2009 - Rev D – Corrected an error in the drawings of the Output Circuit. Fig 4 and Fig 5. Pullup is 470 Ohms. Error made it look like 4700 Ohms. Deleted Section 1.3, Empty Section. Sec 2.3.1, Changed “Bias Resistors” to “Current Limiting Resistors” - added text that Minimum Input Current should be 2.3 mA. Sec 2.3.1.1 Removed VCEO, Not Applicable – Added Min Input Current 2.3mA – Added Max Input Current 80 mA. Sec 2.3.1.2 – Added Characteristics – Isolation 7500 V – Min Input Current 2.3 mA – Max Input Current 60 mA – Ton / Toff 4/4 uSec. Sec 2.3.2.1 – Changed Max Output Voltage to 60V. Sec 2.3.2.2 Changed Max Output Voltage to 60V. Fixed and Added Footers. Fixed Revision note in Footers. Fixed Margins. Fixed Picture / Image Scaling. Added / Checked Current Limit notes on Output Circuit. Added / Checked Extra Output Resistor is marked Optional.

Table Of Contents

1. Introduction.....	9
1.1 Differences From PMC-OPTO32.....	9
1.2 Card Features	10
2. INSTALLATION AND MAINTENANCE.....	11
2.1 Card Configuration.....	11
2.2 Installation.....	11
2.2.1 Physical Installation.....	11
2.2.2 Input / Output Cable Connectors.....	12
2.3 System Configuration.....	13
2.3.1 Opto-isolated Inputs.....	13
2.3.2 Opto-isolated Outputs.....	15
3. CONTROL SOFTWARE.....	17
3.1 Introduction.....	17
3.2 Board Register Descriptions.....	17
3.2.1 Board Status Register - Board Offset 0x00.....	17
3.2.2 Board Control Register - Board Offset 0x00 -	18
3.2.3 Received data register - Board Offset 0x04.....	18
3.2.4 Change of state register - Board Offset 0x08.....	18
3.2.5 Receive Event Counter - Board Offset 0x0c.....	18
3.2.6 COS Interrupt enable register - Board Offset 0x010.....	18
3.2.7 COS Polarity register - Board Offset 0x014.....	19
3.2.8 Clock Division Register - Board Offset 0x018.....	19
3.2.9 Output data register - Board Offset 0x01c.....	19
4. PLX 9080-3 Programming.....	20
4.1 Initialization.....	20
4.1.1 Device ID / Vendor ID.....	20
4.1.2 Class Code / Revision ID.....	21
4.1.3 Max Latency / Min Grant / Int. Pin / Int. Line Routing Value.....	21
4.1.4 Mailbox 0 User defined.....	22
4.1.5 Mailbox 1 User defined.....	22
4.1.6 Range PCI to Local.....	23
4.1.7 Local Base Address (remap).....	23
4.1.8 Big / Little Endian descriptor.....	24
4.1.9 Bus region descriptors for PCI to Local.....	25
4.2 PCI Configuration Registers.....	27
4.2.1 PCI Configuration ID Register (Offset 00h).....	28
4.2.2 PCI Command Register (Offset 04h).....	29
4.2.3 PCI Status Register (Offset 06h).....	30
4.2.4 PCI Revision ID Register (Offset 08h).....	31
4.2.5 PCI Class Code Register (Offset 09 - 0h).....	31
4.2.6 PCI Base Address Register for Memory Access to Runtime Registers (Offset 10h).....	32
4.2.7 PCI Base Address Register for I/O Access to Runtime Registers(Offset 14h).....	33

4.2.8 PCI Base Address Register for Access to Local Address Space 0 (Offset 18h).....	33
4.2.9 PCI Interrupt Line Register (Offset 3Ch).....	34
4.2.10 PCI Interrupt Pin Register(Offset 3Dh).....	34
4.3 Shared Run Time Registers.....	35
4.3.1 Big/Little Endian Descriptor Register (PCI 0Ch).....	36
4.3.2 Mailbox Register 0 (PCI 40h)	37
4.3.3 Mailbox Register 1 (PCI 44h)	37
4.3.4 Mailbox Register 2 (PCI 48h)	37
4.3.5 Mailbox Register 3 (PCI 4Ch)	37
4.3.6 Interrupt Control/Status (PCI 68h)	38
4.3.7 EEPROM Control, PCI Command Codes, User I/O Control (PCI 6Ch)	40
4.3.8 PCI Configuration ID Register(PCI 70h).....	41

Table Of Figures

<i>Figure 1 Board Layout</i>	<i>11</i>
<i>Figure 2 Input Channels 0-22, Typical</i>	<i>14</i>
<i>Figure 3 Input Channel 23</i>	<i>14</i>
<i>Figure 4 Normal Outputs, Bits 0-3</i>	<i>15</i>
<i>Figure 5 Diode Clamped Outputs, Bits 4-7</i>	<i>16</i>

Table Of Tables

<i>Table 1- 1 Bias resistor was / is list.....</i>	<i>9</i>
<i>Table 1- 2 Other Resistor Was / Is Changes.....</i>	<i>9</i>
<i>Table 2-3 Input / Output Cable Pin Assignments.....</i>	<i>12</i>
<i>Table 2-4 Input Channels Bias Resistors Locations.....</i>	<i>13</i>
<i>Table 2-5 Input Channels Bias Resistor Values.....</i>	<i>13</i>
<i>Table 3-6 Register Address Map.....</i>	<i>17</i>
<i>Table 3-7 Board Status Register.....</i>	<i>17</i>
<i>Table 3-8 Board Control Register.....</i>	<i>18</i>
<i>Table 4-9 EEPROM Register Initialization.....</i>	<i>20</i>
<i>Table 4-10 PCI Configuration ID Register Description.....</i>	<i>20</i>
<i>Table 4-11 PCI Revision ID Register Description.....</i>	<i>21</i>
<i>Table 4-12 PCI Interrupt Line Register Description.....</i>	<i>21</i>
<i>Table 4-13 Mailbox 0.....</i>	<i>22</i>
<i>Table 4-14 Mailbox 1.....</i>	<i>22</i>
<i>Table 4-15 Range PCI to Local Register Description.....</i>	<i>23</i>
<i>Table 4-16 Local Base Address (remap).....</i>	<i>23</i>
<i>Table 4-17 Big/Little Endian Register Description.....</i>	<i>24</i>
<i>Table 4-18 Bus region descriptors for PCI to Local.....</i>	<i>25</i>
<i>Table 4-19 PCI CONFIGURATION REGISTERS.....</i>	<i>27</i>
<i>Table 4-20 PCI Configuration ID Register Description.....</i>	<i>28</i>
<i>Table 4-21 PCI Command Register Description.....</i>	<i>29</i>
<i>Table 4-22 PCI Status Register Description.....</i>	<i>30</i>
<i>Table 4-23 PCI Revision ID Register Description.....</i>	<i>31</i>
<i>Table 4-24 PCI Class Code Register Description.....</i>	<i>31</i>
<i>Table 4-25 PCI Base Address Register Description.....</i>	<i>32</i>
<i>Table 4-26 PCI Base Address Register Description.....</i>	<i>33</i>
<i>Table 4-27 PCI Base Address Register Description.....</i>	<i>33</i>
<i>Table 4-28 PCI Interrupt Line Register Description.....</i>	<i>34</i>
<i>Table 4-29 PCI Interrupt Pin Register Description.....</i>	<i>34</i>

<i>Table 4-30 SHARED RUN TIME REGISTERS.....</i>	<i>35</i>
<i>Table 4-31 Big/Little Endian Register Description.....</i>	<i>36</i>
<i>Table 4-32 Mailbox Register 0 Description.....</i>	<i>37</i>
<i>Table 4-33 Mailbox Register 1 Description.....</i>	<i>37</i>
<i>Table 4-34 Mailbox Register 2 Description.....</i>	<i>37</i>
<i>Table 4-35 Mailbox Register 3 Description.....</i>	<i>37</i>
<i>Table 4-36 Interrupt Control/Status.....</i>	<i>38</i>
<i>Table 4-37 EEPROM Control, PCI Command Codes, User I/O Control.....</i>	<i>40</i>
<i>Table 4-38 PCI Configuration ID Register Description.....</i>	<i>41</i>

SECTION 1

1. Introduction

The PMC-OPTO32A board is a high performance PCI Mezzanine card offering 24 optoisolated inputs and 8 optoisolated outputs.

1.1 Differences From PMC-OPTO32

The PMC-OPTO32A is an update to the PMC-OPTO32. It was redesigned to reduce power consumption and simplify board assembly. Every effort was made to ensure that the PMC-OPTO32A and the PMC-OPTO32 are as close to hardware and software interchangeable as possible.

The following differences exist between the PMC-OPTO32 and the PMC-OPTO32A.

- The PCI9060ES was replaced with a PCI9080-3
- The PCI9080 will request 256 bytes of I/O space for it's register mapping, the PCI9060 only requested 128 bytes of I/O space.
- The PCI9080 will request 256 bytes of memory space for it's register mapping, the PCI9060 only requested 128 bytes of memory space.
- Optional assembly with PCI9060ES is available, Order Code '-9060ES' .
- 1 Xilinx FPGA replaces the 3 Mach 5 devices used on the PMC-OPTO32.
- The Xilinx runs at 3.3V to reduce power consumption. An on board 3.3V Voltage Regulator removes the need for 3.3Volt power from the PMC connector.

Input Bias resistor reference designators have changed as follows.

Table 1- 1 Bias resistor was / is list.

Was	Is	Description	Value	Was	Is	Description	Value
R25	R1	Output Bias	470	R10	R2	Input Bias	2.2K (Typical)
R24	R4	Output Bias	470	R9	R5	Input Bias	2.2K (Typical)
R16	R9	Input Bias	2.2K (Typical)	R4	R6	Input Bias	2.2K (Typical)
R15	R8	Input Bias	2.2K (Typical)	R3	R7	Input Bias	2.2K (Typical)

Table 1- 2 Other Resistor Was / Is Changes

Was	Is	Description	Value
R27	R10	Connector Shell	Optional
R23	R3	Output Bias, For Testing	100K Optional

1.2 Card Features

- 24 optically isolated inputs
 - Selectable input voltage range thru use of field replaceable bias resistors.
- 8 optically isolated outputs - 4 normal, 4 Diode Clamped
- Software Programmable clock debounce rate
- Software Programmable Change of State detection. Rising edge or falling edge per input channel
- Software Programmable Interrupts on any or all Change of State bit(s)
- Software Pre-loadable Event counter on Input Bit 23
- Programmable Interrupt on event counter overflow
- Built in Self-Test Features.
 - Registers are Read / Write.
 - Ability to monitor the Debounce Clock.

The board uses the PLX 9080-3 PCI interface chip to provide the advanced features of the PCI interface environment. These features include:

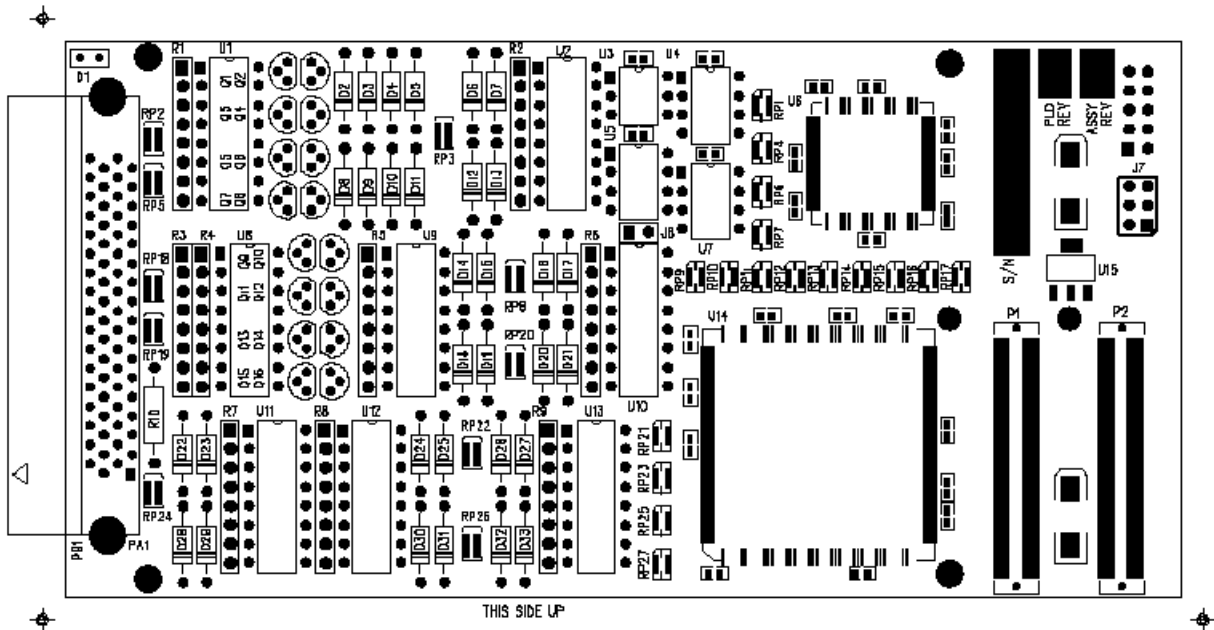
- Programmable Little Endian / Big Endian swapping
- PCI cycles Asynchronous to local bus cycles
- Software Programmable board base address

SECTION 2

2. INSTALLATION AND MAINTENANCE

2.1 Card Configuration

Figure 1 Board Layout



2.2 Installation

2.2.1 Physical Installation

Selectable input voltage range thru use of field replaceable bias resistors using standard 8 pin SIP isolation resistors. These bias resistor packages are socketed for easy replacement One bias resistor package will affect the input channels on nibble boundaries.

2.2.2 Input / Output Cable Connectors

Table 2-3 Input / Output Cable Pin Assignments

PIN NUMBER	SIGNAL	PIN NUMBER	SIGNAL
1	IN CH00 HI	35	IN CH17 HI
2	IN CH00 LO	36	IN CH17 LO
3	IN CH01 HI	37	IN CH18 HI
4	IN CH01 LO	38	IN CH18 LO
5	IN CH02 HI	39	IN CH19 HI
6	IN CH02 LO	40	IN CH19 LO
7	IN CH03 HI	41	IN CH20 HI
8	IN CH03 LO	42	IN CH20 LO
9	IN CH04 HI	43	IN CH21 HI
10	IN CH04 LO	44	IN CH21 LO
11	IN CH05 HI	45	IN CH22 HI
12	IN CH05 LO	46	IN CH22 LO
13	IN CH06 HI	47	IN CH23 HI
14	IN CH06 LO	48	IN CH23 LO
15	IN CH07 HI	49	LOG OUT CH0 HI
16	IN CH07 LO	50	LOG OUT CH0 LO
17	IN CH08 HI	51	LOG OUT CH1 HI
18	IN CH08 LO	52	LOG OUT CH1 LO
19	IN CH09 HI	53	LOG OUT CH2 HI
20	IN CH09 LO	54	LOG OUT CH2 LO
21	IN CH10 HI	55	LOG OUT CH3 HI
22	IN CH10 LO	56	LOG OUT CH3 LO
23	IN CH11 HI	57	PWR OUT CH4 HI
24	IN CH11 LO	58	PWR OUT CH4 LO
25	IN CH12 HI	59	PWR OUT CLAMP 4
26	IN CH12 LO	60	PWR OUT CH5 HI
27	IN CH13 HI	61	PWR OUT CH5 LO
28	IN CH13 LO	62	PWR OUT CLAMP 5
29	IN CH14 HI	63	PWR OUT CLAMP 6
30	IN CH14 LO	64	PWR OUT CH6 HI
31	IN CH15 HI	65	PWR OUT CH6 LO
32	IN CH15 LO	66	PWR OUT CLAMP 7
33	IN CH16 HI	67	PWR OUT CH7 HI
34	IN CH16 LO	68	PWR OUT CH7 LO

2.3 System Configuration

2.3.1 Opto-isolated Inputs

Selectable input voltage range thru use of field replaceable bias resistors, labeled RIN, using standard 8 pin SIP isolation resistors. These bias resistor packages are socketed for easy replacement One bias resistor package will affect the input channels on nibble boundaries as follows:

Table 2-4 Input Channels Bias Resistors Locations.

Resistor Location	Input Channels
R7	IN CH00 thru IN CH03
R6	IN CH04 thru IN CH07
R5	IN CH08 thru IN CH11
R2	IN CH12 thru IN CH15
R8	IN CH16 thru IN CH19
R9	IN CH20 thru IN CH23

Current Limiting Resistor Values should be chosen to provide a Minimum input current of 2.3 mA. Typical resistor values for input voltage levels are as follows:

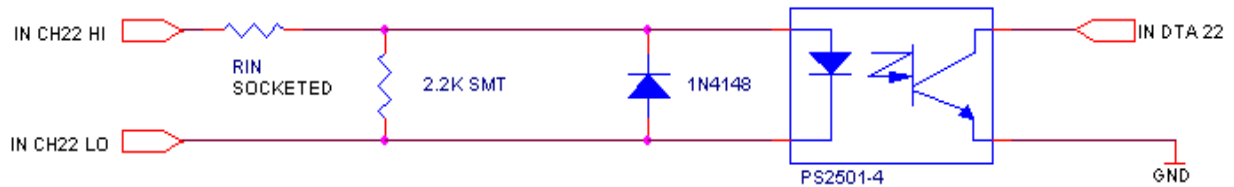
Table 2-5 Input Channels Bias Resistor Values

Input Voltage Range	Bias Resistor Values
5 V	2200 ohms
12 V	5100 ohms
28 V	12000 ohms
48 V	20000 ohms

2.3.1.1 Channels 0-22

Isolation Voltage – 5000 V
Current Transfer Ratio – 80-600%
Min Input Current – 2.3 mA.
Max Input Current – 80 mA.
Typical Ton/Toff – 3/5 uSec.

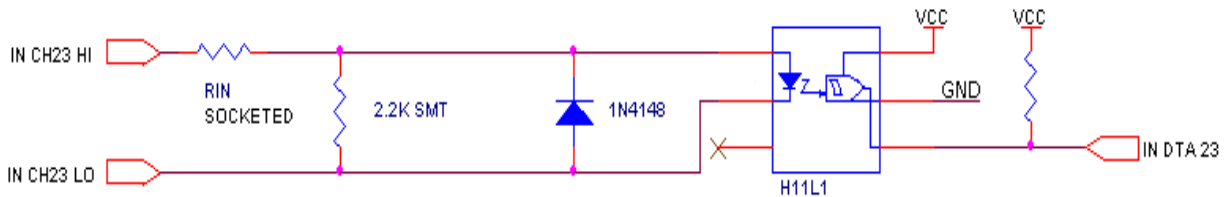
Figure 2 Input Channels 0-22, Typical



2.3.1.2 Channel 23

Isolation Voltage – 7500 V
Min Input Current – 2.3 mA.
Max Input Current – 60 mA.
Max Ton/Toff – 4/4 uSec.

Figure 3 Input Channel 23

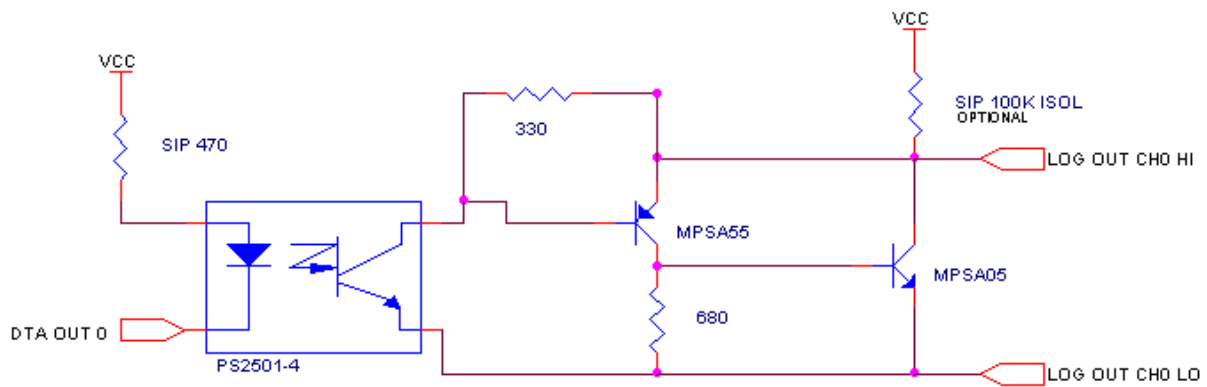


2.3.2 Opto-isolated Outputs

2.3.2.1 Normal Outputs

Isolation Voltage – 5000 V
VCEO (Max) – 60 V
Maximum Current – 100 ma.
Typical Ton/Toff – 3/5 uSec.

Figure 4 Normal Outputs, Bits 0-3

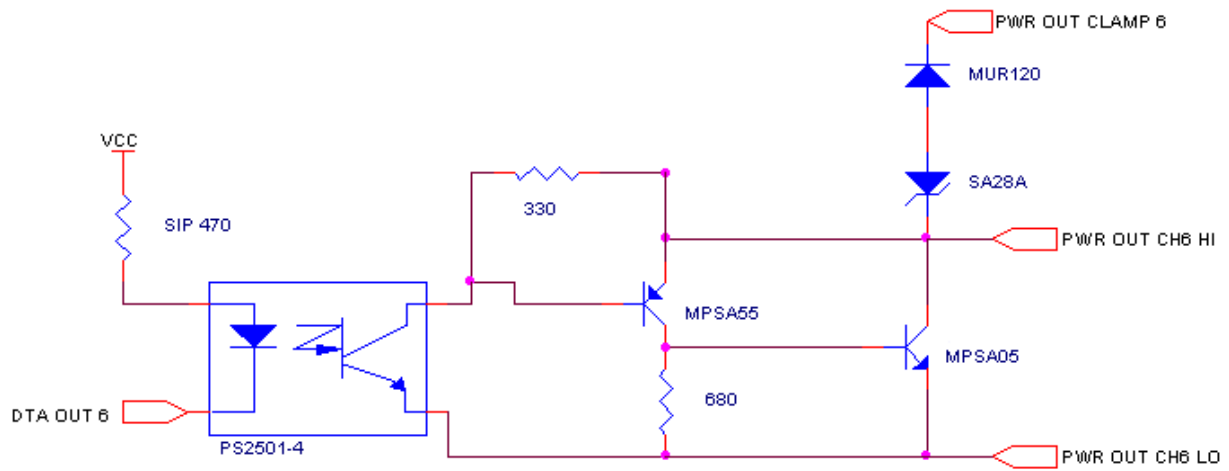


100 K isolation Resistor is Optional and is not normally installed.

2.3.2.2 Diode Clamped Outputs

Isolation Voltage – 5000 V
VCEO (Max) – 60 V
Maximum Current – 100 ma.
Typical Ton/Toff – 3/5 uSec.

Figure 5 Diode Clamped Outputs, Bits 4-7



SECTION 3

3. CONTROL SOFTWARE

3.1 Introduction

3.2 Board Register Descriptions

Table 3-6 Register Address Map

Board Offset	Size	Register Name
0x00	8 Bits read only	Board Status Register
0x00	8 Bits write only	Board Control Register
0x04	24 bits Read ONLY	Received data register
0x08	24 bits Read / Write	Change of state register
0x0c	16 bits Read / Write	Receive Event Counter
0x010	24 bits Read / Write	COS Interrupt enable register
0x014	24 bits Read / Write	COS Polarity register
0x018	24 bits Read / Write	Clock Division Register
0x01c	8 bits Read / Write	Output data register

3.2.1 Board Status Register - Board Offset 0x00

8 Bits read only.

Table 3-7 Board Status Register

Bit[0]	= Int Byte LO Out H ; bits 7 - 0 COS interrupt status
Bit[1]	= Int Byte MD Out H ; bits 15 - 8 COS interrupt status
Bit[2]	= Int Byte HI Out H ; Bits 23 - 16 COS interrupt status
Bit[3]	= Rx Event Overflow H ; event overflow status
Bit[4]	= Master Int Out ; - master Interrupt status
Bit[5]	= Slow Debounce Clock ;
Bit[6]	= Enable Rx Event Overflow H ; Interrupt enable for event overflow
Bit[7]	= Fail LED ON L ;

3.2.2 Board Control Register - Board Offset 0x00 -

8 Bits write only. -

Table 3-8 Board Control Register

Bit[0]	=	Clear Int Byte LO Out H ; clear bits 7 - 0 COS interrupt status
Bit[1]	=	Clear Int Byte MD Out H ; clear bits 15 - 8 COS interrupt status
Bit[2]	=	Clear Int Byte HI Out H ; clear Bits 23 - 16 COS interrupt status
Bit[3]	=	Clear Rx Event Overflow H ; clear event overflow status
Bit[4]	=	Master Clear ; - clear all COS or Event Overflow.
Bit[5]	=	reserved ;
Bit [6]	=	Enable Rx Event Overflow H ; Interrupt enable.
Bit [7]	=	Fail LED ON L ;

NOTE: Bits 0-4 are self-clearing pulses that are written as a 1 to clear the interrupt source. The bits will then self clear so that another host operation is not required.

NOTE: The Clear Interrupt Bytes, or the Master Clear (bit[4]), will clear ANY COS register bit that is set regardless of the bits Interrupt Enable Status. For Individual COS bit clearing, Write a 1 to the COS bit you wish to clear.

Event Overflow status will only be cleared by Clear Event Overflow or by Master Clear, Bit[4]. Loading the Event Counter WILL NOT clear out the event overflow status.

3.2.3 Received data register - Board Offset 0x04

24 bits. Debounced receive data bits 0 - 23. Read ONLY.

3.2.4 Change of state register - Board Offset 0x08

24 bits - Change of state detection. Polarity programmed thru COS Polarity register, 0x014.

Read COS data bits 0 - 23. Read ONLY.

If a COS bit is set, then it will stay set until cleared by the host. A COS bit is cleared by writing a 1 to a COS bit that is set. Writing a zero will have no effect. COS bits may also be cleared by using the board control register Byte clears or using the board control master clear.

3.2.5 Receive Event Counter - Board Offset 0x0c

16 bits Read / Write. Written by the host.

This counter may be read at any time by the host. Counter will increment once for every Debounced Rising edge detected on input data bit 23. When the counter is 0x0ffff and increments the Rx event overflow status bit will be set and can be used to generate an interrupt.

3.2.6 COS Interrupt enable register - Board Offset 0x010

24 bits. Read / Write.

Each bit will be bitwise ANDED with the COS register and all of the results OR'ed together to generate an Interrupt. A 1 will enable the corresponding interrupt. A 0 will disable that bit from generating an interrupt.

3.2.7 COS Polarity register - Board Offset 0x014

24 bits. Read / Write.

When the corresponding bit is zero, the COS detection for that bit will be set by a detected High to Low transition. When Set to a 1 the COS detection for that bit will look for Low to High transitions. Reset to all zeros.

3.2.8 Clock Division Register - Board Offset 0x018

24 bits. Read / Write.

NOTE >>>> when altering this register, disable all interrupts and expect unusual results in the COS Detection register.

A 24 Bit clock divider is provided for programmable Debounce delays. The debounce circuit registers the incoming data 3 times in a daisy chain. When ALL 3 registers are high, the incoming data is a high. When the debounced data register contains a 1, then ALL three registers must contain zero for the debounced data to transition back to a zero. The clock for these holding registers is programmable thru the clock divider.

The Basic clock of the board is 20 MHz, 50 Ns. The Basic Clock Counter will always divide by 4, 200 Ns. Values of 0x0000 or 0x0001 will not alter this. When the clock divider is loaded with a larger value then the clock division will be (count * 2) + 2. The Total debounce time will be 3 X (clock division time).

For Example: for a 15ms. debounce time. Clock period should be 5ms.

$5\text{ms} / 50 \text{Ns} = 100000. -2 = 99998.$

$99998 / 2 = 49999 = 0x0c34f \text{Hex.}$

3.2.9 Output data register - Board Offset 0x01c.

8 bits - Read / Write.

The 8 bit output data register. Reset to All Zero's. Writing a 1 to a bit will make that opto output conductive and give a '0' to the other end. Writing a 0 will turn the opto off and allow the output to float to '1'.

4. PLX 9080-3 Programming

4.1 Initialization.

When the PLX9080-3 is reset, it will initialize itself from an on board serial EEPROM that is programmed at General Standards. The registers loaded at initialization are:

Table 4-9 EEPROM Register Initialization

PCI Configuration Reg.	Bits	Description	Value After Reset
0x0	32	Device ID / Vendor ID	0x906E10B5
0x8	32	Class Code / Revision ID	0x07800002
0x3C	32	Max / Min Latency / Int. Pin / Int. Line Routing Value	0x00000100
PCI Register Offset	Bits	Description	Value After Reset
0x40	32	Mailbox 0 User defined	0x00030003
0x44	32	Mailbox 1 User defined	0x00030000
0x00	32	range PCI to Local	0xFFFFFC1
0x04	32	Local Base Address (remap)	0x0001
0x08	32	Local Arbitration register	0x0000, Not Used
0x0c	32	Big / little Endian descriptor	0x0000
0x10	32	range for PCI to local expansion ROM	0x0000, Not Used
0x14	32	Local Base Address Remap PCI to Local Expansion ROM	0x0000, Not Used
0x18	32	Bus region descriptors for PCI to Local	0x40000300
0x1c	32	Range for direct Master to PCI	0x0000, Not Used
0x20	32	Local base address direct Master to PCI	0x0000, Not Used
0x24	32	Local base address direct Master to PCI IO/CFG	0x0000, Not Used
0x28	32	PCI base address Remap for direct Master to PCI	0x0000, Not Used
0x2c	32	PCI Configuration Address register for direct Master to PCI IO/CFG	0x0000, Not Used

A brief description of the PLX9080-3 Registers initialized is as follows.

4.1.1 Device ID / Vendor ID

Device ID and Vendor ID are used to identify the PMC-OPTO32A during configuration cycles.

Table 4-10 PCI Configuration ID Register Description

Field	Description	Read	Write	Value After Reset
15:0	Vendor ID - Identifies the manufacturer of the device. Defaults to the PCI SIG issued vendor ID of PLX if no EEPROM is present and pin NB# (no local bus initialization) is asserted low.	Yes	Local only	10B5h
31:16	Device ID - Identifies the particular device. Defaults to the PLX part number for PCI interface chip if no EEPROM is present and pin NB# (no local bus initialization) is asserted low.	Yes	Local only	906Eh

4.1.2 Class Code / Revision ID

PCI Specification defined encoding to identify the type of device this is. Used primarily for Plug and Play applications.

Table 4-11 PCI Revision ID Register Description

Field	Description	Read	Write	Value After Reset
7:0	Revision ID. The silicon revision of the PLX9060ES.	Yes	Local Only	02h
15:8	Specific register level programming interface (00h). No interface defined	Yes	Local Only	00h
23:16	Sub-class Encoding (80h). Other bridge device.	Yes	Local Only	80h
31:24	Base Class Encoding other Bridge Device	Yes	Local Only	07h

4.1.3 Max Latency / Min Grant / Int. Pin / Int. Line Routing Value

Latency and Grant are for DMA Applications. The PMC OPTO32 does not use DMA and these are not used. Interrupt Pin identifies which interrupt on the PCI / PMC connector this device is connected to. The PMC-OPTO32A is connected to INTA#. The other interrupt pins are not connected. Interrupt line routing is host dependent and should be filled in by the host processor during PCI configuration.

Table 4-12 PCI Interrupt Line Register Description

Field	Description	Read	Write	Value After Reset
7:0	Interrupt Line Routing Value indicates which input of the system interrupt controller(s) the devices interrupt line is connected to.	Yes	Yes	0
15:8	Interrupt Pin register. Indicates which interrupt pin the device uses. The following values are decoded: 0 = No Interrupt Pin 1 = INTA# 2 = INTB# 3 = INTC# 4 = INTD#	Yes	Local Only	1
23:16	Min_Gnt. Used to specify how long a burst period the device needs assuming a clock rate of 33 MHz. Value is multiple of 1/4 usec increments	Yes	Local Only	0
31:24	Max_Lat. Used to specify how often the device needs to gain access to the PCI bus. Value is multiple of 1/4 usec increments.	Yes	Local Only	0

4.1.4 Mailbox 0 User defined

When loaded from the EE Prom, this mailbox is used to contain values to identify the PLD revision, and EE Prom Revision levels of this board.

Table 4-13 Mailbox 0

Field	Description	Read	Write	Value After Reset
15:0	PLD Revision Level	Yes	Yes	0x0003
31:16	EE Prom Revision Level	Yes	Yes	0x0003

4.1.5 Mailbox 1 User defined

When loaded from the EE Prom, this mailbox register is used to identify the overall PMC-OPTO32A board assembly revision level.

Table 4-14 Mailbox 1

Field	Description	Read	Write	Value After Reset
15:0	Reserved	Yes	Yes	0x0000
31:16	Board Assembly Revision Level	Yes	Yes	0x0003

4.1.6 Range PCI to Local

The PMC-OPTO32A registers map into PCI I/O Space using 64 bytes of I/O Space. PMC-OPTO32A registers should not be prefetched because they act as I/O ports.

Table 4-15 Range PCI to Local Register Description

Field	Description	Read	Write	Value After Reset
0	Memory space indicator. A value of 0 indicates register maps into Memory space. A value of 1 indicates the register maps into I/O space.	Yes	No	1
2:1	Location of register: 00 - Locate anywhere in 32 bit memory address space 01 - Locate below 1 MByte memory address space 10 - Locate anywhere in 64 bit memory address space 11 -Reserved	Yes	No	0
3	Prefetchable. A value of 1 indicates there are no side effects on reads.	Yes	No	0
31:4	Memory Base Address. Memory base address for access to local address space	Yes	Yes	0xFFFFFFFF

4.1.7 Local Base Address (remap)

Not used. This register should always be set to 0x001 to enable address decode.

Table 4-16 Local Base Address (remap)

Field	Description	Read	Write	Value After Reset
0	Space 0 Enable. A 1 value enables Decode of PCI addresses for Direct Slave access to local space 0. A value of 0 disables Decode.	Yes	Yes	1
31:1	Not Used	Yes	Yes	0x0000

4.1.8 Big / Little Endian descriptor

Upon reset, the board is configured for Little Endian operation. Bit 2 can be used to program the board for Big Endian operation. If Endian mode is changed, Bit 4 should always be 0. Bits 0 and 1 apply to Direct Bus Master devices, and do not apply to the PMC-OPTO32. The PMC-OPTO32A is not a direct bus master.

Table 4-17 Big/Little Endian Register Description

Field	Description	Read	Write	Value After Reset
0	Configuration Register Big Endian mode. Does Not Apply.	Yes	Yes	0
1	Direct Master Big Endian mode. Does Not Apply.	Yes	Yes	0
2	Direct Slave Address Space 0 Big Endian mode. A 1 value specifies that Big Endian data ordering is used for Direct Slave accesses to local Address Space 0. A value of 0 specifies Little Endian ordering.	Yes	Yes	0
3	Direct Slave Address Expansion ROM Big Endian select. Not Used.	Yes	Yes	0
4	Big Endian byte lane mode. Must be 0.	Yes	Yes	0
31:5	Not used.	Yes	No	0x0000

4.1.9 Bus region descriptors for PCI to Local

The following values should never be altered.

Bits 1:0 0x00 Local bus is 8 bits.
 Bit 6 0 Ready Input is not used.
 Bit 7 0 Bterm Input is not used.

Table 4-18 Bus region descriptors for PCI to Local

Field	Description	Read	Write	Value After Reset
1:0	Memory Space 0 Local Bus Width. Programmable for the Cx and Jx modes only. A value 00 indicates a bus width of 8 bits. A value of 01 indicates a bus width of 16 bit, a value of 10 or 11 indicates a bus width of 32 bits.	Yes	Yes	0x00 8 bit local bus width.
5:2	Memory Space 0 Internal Wait States (data to data).	Yes	Yes	0
6	Memory Space 0 Ready Input Enable. A value of 0 disables the Ready input.	Yes	Yes	0
7	Memory Space 0 Bterm Input Enable. A value of 0 disables the Bterm input.	Yes	Yes	0
8	Memory Space 0 Prefetch Disable. If mapped into memory space, a 0 enables read pre-fetching, a value of 1 disables pre-fetching. If pre-fetching is disabled, the PLX9080-3 will disconnect after each memory read.	Yes	Yes	1
9	Expansion ROM Space Prefetch Disable. A 0 enables read pre-fetching, a value of 1 disables pre-fetching. If pre-fetching is disabled, the PLX9080-3 will disconnect after each memory read.	Yes	Yes	1
10	Read Prefetch Count Enable. When set to a 1 and memory pre-fetching is enabled, the PLX9080-3 will pre-fetch up to the number of Lwords specified in the Prefetch count.	Yes	Yes	0
14:11	Read Prefetch Count. When the Read Pre-fetch Count Enable is set to a 1 and memory pre-fetching is enabled, the PLX9080-3 will pre-fetch up to the number of Lwords specified in the pre-fetch count for memory access to the Memory Space 0 or to the Expansion ROM.	Yes	Yes	0
15	Single Read Access Mode Enable. Used in conjunction with Memory Space 0 and Expansion ROM Pre-fetch Disable. If a PCI read access is made to address space 0 and space 0 Pre-fetch Disable is set to a 1 or a PCI read access is made to Expansion ROM space and Expansion ROM pre-fetch Disable is set to a 1, the PLX9080-3 will perform a single read access independent of the PCI bus byte enables. The single access is made as follows: 32 bit local bus ----- bytes 0,1,2,3 16 bit local bus ----- bytes 0,1 8 bit local bus ----- byte 0 For a 16 bit local bus, bytes 2,3 of the PCI Lword will contain invalid data. For an 8 bit local bus, bytes 1,2,3 of the PCI Lword will contain invalid data.	Yes	Yes	0

17:16	Expansion ROM Space Local Bus Width. Programmable for the Cx and Jx modes only. A value of 00 indicates a bus width of 8 bits, a value of 01 indicates a bus width of 16 bits, A value of 10 or 11 indicates a bus width of 32 bits.	Yes	Yes	0
21:18	Expansion ROM Space Internal Wait States (data to data)	Yes	Yes	0
22	Expansion ROM Space Ready Input Enable. A 1 value enables Ready input. A value of 0 disables the Read input.	Yes	Yes	0
23	Expansion ROM Space Bterm Input Enable. A 1 value enables Bterm input. A value of 0 disables the Bterm input.	Yes	Yes	0
24	Memory Space 0 Burst Enable. A 1 value enables bursting. A value of 0 disables bursting	Yes	Yes	0
25	Reserved.	Yes	Yes	0
26	Expansion ROM Space Burst Enable. A 1 value enables bursting. A value of 0 disables bursting	Yes	Yes	0
27	Direct Slave PCI write mode. A 0 indicates that the PLX9080-3 should disconnect when the Direct Slave write FIFO is full. A 1 indicates that the PLX9080-3 should de-assert TRDY when the write FIFO is full.	Yes	Yes	0
31:28	PCI Target Retry Delay Clocks. Contains the value (multiplied by 8) of the # of PCI bus clocks after receiving a PCI-Local read or write access and not successfully completing a transfer. Only pertains to Direct Slave write when bit 27 is set to 1.	Yes	Yes	4

4.2 PCI Configuration Registers

After power up, the PLX interface needs to be initialized for PCI bus operation. The PCI interface is initialized thru PCI configuration cycles.

The primary purposes of PCI configuration cycles are to:

1. Identify any boards found thru the Device ID and Vendor ID.
2. Assign addresses for memory mapped and I/O access. The base address registers at offsets 0x010 and 0x014 assign addresses for access to PLX registers. The register at offset 0x018 assigns the address for access to the PMC-OPTO32A board registers described in section 3.2.
3. Identify Interrupt routing.
4. Enable the board for PCI bus accesses. In the PCI Status / Command register at offset 0x04 bits 0 and 1 must be set to enable the PLX9080-3 to respond to PCI bus cycles.

All registers may be written to or read from in byte, word or long word accesses.

Table 4-19 PCI CONFIGURATION REGISTERS

PCI CFG Register Address	<u>To ensure software compatibility with other versions of PLX9080-3 family and to ensure compatibility with future enhancement. All unused bits should be written to 0.</u>				Value After Reset
	31	23	15	7	
0x00	Device ID		Vendor ID		0x906E10B5
0x04	Status		Command		0x02800000
0x08	Class Code		Revision ID		0x07800002
0x0C	BIST	Header Type	Latency Timer	Cache Line Size	0x00000000
0x10	PCI Base Address for Memory Mapped Runtime Registers				0x00000000
0x14	PCI Base Address for I/O Mapped Runtime Registers				0x00000001
0x18	PCI Base Address for Local Address Space 0				0x00000001
0x1C	Reserved				0x00000000
0x20	Reserved				0x00000000
0x24	Reserved				0x00000000
0x28	Reserved				0x00000000
0x2C	Reserved				0x00000000
0x30	PCI Base Address to local Expansion ROM, Not Used				0x00000000
0x34	Reserved				0x00000000
0x38	Reserved				0x00000000
0x3C	Max lat	Min Gnt	Interrupt Pin	Interrupt Line	0x00000100

4.2.1 PCI Configuration ID Register (Offset 00h)

Read to identify the board during configuration cycles.

Table 4-20 PCI Configuration ID Register Description

Field	Description	Read	Write	Value After Reset
15:0	Vendor ID - Identifies the manufacturer of the device. Defaults to the PCI SIG issued vendor ID of PLX if no EEPROM is present and pin NB# (no local bus initialization) is asserted low.	Yes	Local only	10B5h
31:16	Device ID - Identifies the particular device. Defaults to the PLX part number for PCI interface chip if no EEPROM is present and pin NB# (no local bus initialization) is asserted low.	Yes	Local only	906Eh

4.2.2 PCI Command Register (Offset 04h)

Must be initialized by the Host CPU. Should be the last register initialized during configuration. Bits 0 and 1 should be set to a 1. Bit 6 can also be set as desired. 16 bit register. If written as a 32-bit register the upper 16 bits should be 0x0280. Typical value would be 0x02800003.

Table 4-21 PCI Command Register Description

Field	Description	Read	Write	Value After Reset
0	I/O Space. A value of 1 allows the device to respond to I/O space accesses. A value of 0 disables the device from responding to I/O space accesses.	Yes	Yes	0
1	Memory Space. A value of 1 allows the device to respond to memory space accesses. A value of 0 disables the device from responding to memory space accesses.	Yes	Yes	0
2	Master Enable. A value of 1 allows the device to behave as a bus master. A value of 0 disables the device from generating bus master accesses.	Yes	Yes	0
3	Special Cycle. This bit is not supported.	Yes	No	0
4	Memory Write/invalidate Enable. Direct Master, does not apply.	Yes	Yes	0
5	VGA Palette Snoop. This bit is not supported.	Yes	No	0
6	Parity Error Response. A value of 0 indicates that a parity error is ignored and operation continues. A value of 1 indicates that parity checking is enabled.	Yes	Yes	0
7	Wait Cycle Control. Controls whether or not the device does address/data stepping. A 0 value indicates the device never does stepping. A value of 1 indicates that the device always does stepping. This value is hardwired to 0.	Yes	Yes	0
8	SERR# Enable. A value of 1 enables the SERR# driver. A value of 0 disables the driver	Yes	Yes	0
9	Fast Back-to-Back Enable. Indicates what type of fast back-to-back transfers a Master can perform on the bus. A value of 1 indicates that fast back-to-back transfers can occur to any agent on the bus. A value of 0 indicates that fast back-to-back transfers can only occur to the same agent as the previous cycle.	Yes	No	0
15:0	Reserved	Yes	No	0

4.2.3 PCI Status Register (Offset 06h)

The PCI Status Register affects how the PLX9080-3 will interact with the host PCI bus. This register should be left with its default value. 16 bit register.

Table 4-22 PCI Status Register Description

Field	Description	Read	Write	Value After Reset
6:0	Reserved	Yes	No	0
7	Fast Back-to-Back Capable. When this bit is set to a 1, it indicates the adapter can accept fast back-to-back transactions. A 0 indicates the adapter cannot.	Yes	No	1h
8	Master Data Parity Error Detected. This bit is set to a 1 when three conditions are met: 1) the PLX9080-3 asserted PERR# itself or observed PERR# asserted; 2) the PLX9080-3 was the bus master for the operation in which the error occurred; 3) the Parity Error Response bit in the Command Register is set. Writing a 1 to this bit clears the bit (0).	Yes	Yes	0
10:9	DEVSEL Timing. Indicates timing for DEVSEL# assertion. A value of 01 is medium.	Yes	No	01h
11	Target Abort. When this bit is set to a 1, this bit indicates the PLX9080-3 has signaled a target abort. Written a 1 to this bit clears the bit (0).	Yes	Yes	0
12	Received Target Abort. When set to a 1, this bit indicates the PLX9080-3 has received a target abort signal. Written a 1 to this bit clears the bit (0).	Yes	Yes	0
13	Received Master Abort. When set to a 1, this bit indicates the PLX9080-3 has received a master abort signal. Writing a 1 to this bit clears the bit (0).	Yes	Yes	0
14	Signaled System Error. When set to a 1, this bit indicates the PLX9080-3 has reported a system error on the SERR# signal. Writing a 1 to this bit clears the bit (0).	Yes	Yes	0
15	Detected Parity Error. When set to a 1, this bit indicates the PLX9080-3 has detected a PCI bus parity error, even if parity error handling is disabled (the Parity Error Response bit in the Command Register is clear). One of three conditions can cause this bit to be set. 1) The PLX9080-3 detected a parity error during a PCI address phase; 2) the PLX9080-3 detected a data parity error when it was the target of a write; 3) the PLX9080-3 detected a data parity error when performing a master read operation. Writing a 1 to this bit clears the bit (0).	Yes	Yes	0

4.2.4 PCI Revision ID Register (Offset 08h)

Identifies the silicon revision of the PLX9060ES.

Table 4-23 PCI Revision ID Register Description

Field	Description	Read	Write	Value After Reset
7:0	Revision ID. The silicon revision of the PLX9060ES.	Yes	Local Only	01h

4.2.5 PCI Class Code Register (Offset 09 - 0h)

Used in Plug and Play PCI applications.

Table 4-24 PCI Class Code Register Description

Field	Description	Read	Write	Value After Reset
7:0	Specific register level programming interface (00h). No interface defined	Yes	Local Only	00h
15:8	Sub-class Encoding (80h). Other bridge device.	Yes	Local Only	80h
23:16	Base Class Encoding other Bridge Device	Yes	Local Only	07h

4.2.6 PCI Base Address Register for Memory Access to Runtime Registers (Offset 10h)

This register is used to set the base address to access the PLX internal registers using PCI Memory access cycles.

The defined sequence for initializing Base Addresses is as follows. PCI reset software determines how much address space is required by writing a value of all ones (1) to a PCI Base Address register and then reading the value back. The PLX9080-3 returns 0's in don't care address bits, effectively specifying the address space required. The PCI software then maps the Local Address space into the PCI Address space by programming the PCI Base Address register.

For Example: The Host CPU will write 0xFFFFFFFF to register 0x010. The host will read back register 0x010 and get a value of 0xFFFFF80. Address bits 7 thru 31 are decoded. Address bits 0 thru 6 are ignored. The PLX9080-3 registers will take up 256 bytes in memory space. The Host CPU will then assign an address for Memory Access to PLX9080-3 internal registers and write the assigned address into the base address register.

Table 4-25 PCI Base Address Register Description

Field	Description	Read	Write	Value After Reset
0	Memory space indicator. A value of 0 indicates register maps into Memory space. A value of 1 indicates the register maps into I/O space.	Yes	No	0
2:1	Location of register: 00 - Locate anywhere in 32 bit memory address space 01 - Locate below 1 Mbytes memory address space 10 - Locate anywhere in 64 bit memory address space 11 -Reserved	Yes	No	0
3	Prefetchable. A value of 1 indicates there are no side effects on reads.	Yes	No	0
6:4	Memory Base Address. Memory base address for access to runtime registers (Default 256 bytes)	Yes	No	0
31:7	Memory Base Address. Memory base address for access to runtime registers	Yes	Yes	0

4.2.7 PCI Base Address Register for I/O Access to Runtime Registers(Offset 14h)

This register is used to set the base address to access the PLX internal registers using PCI I/O access cycles.

Table 4-26 PCI Base Address Register Description

Field	Description	Read	Write	Value After Reset
0	Memory space indicator. A value of 0 indicates register maps into Memory space. A value of 1 indicates the register maps into I/O space.	Yes	No	1h
1	Reserved	Yes	No	0
6:2	I/O Base Address. Base Address for I/O access to runtime registers.(Default 256 bytes)	Yes	No	0
31:7	I/O Base Address. Base Address for I/O access to runtime registers.(Default 256 bytes)	Yes	Yes	0

4.2.8 PCI Base Address Register for Access to Local Address Space 0 (Offset 18h)

This register is used to set the base address to access the PMC-OPTO32A registers contained on the PMC-OPTO32A board. The PMC-OPTO32A registers are described in section 3.2. The default configuration is to place PMC-OPTO32A registers into PCI I/O space using 64 bytes of I/O Space.

Table 4-27 PCI Base Address Register Description

Field	Description	Read	Write	Value After Reset
0	Memory space indicator. A value of 0 indicates register maps into Memory space. A value of 1 indicates the register maps into I/O space.	Yes	No	1h
2:1	Location of register: 00 - Locate anywhere in 32 bit memory address space 01 - Locate below 1 MByte memory address space 10 - Locate anywhere in 64 bit memory address space 11 -Reserved	Yes	No	0
3	Prefetchable. A value of 1 indicates there are no side effects on reads.	Yes	No	0
31:4	Memory Base Address. Memory base address for access to local address space	Yes	Yes	0xFFFFFC

4.2.9 PCI Interrupt Line Register (Offset 3Ch)

The Interrupt Line Routing Register should be filled in during initialization of the PMC-OPTO32A board by the host processor. The PMC-OPTO32A will generate interrupts using the INTA# connection of the PMC location it is plugged into. The host processor should fill in the host interrupt level that INTA# is connected to.

Table 4-28 PCI Interrupt Line Register Description

Field	Description	Read	Write	Value After Reset
7:0	Interrupt Line Routing. Value indicates which input of the system interrupt controller(s) the devices interrupt line is connected to.	Yes	Yes	0

4.2.10 PCI Interrupt Pin Register(Offset 3Dh)

The PMC-OPTO32A board will generate all interrupts on the INTA# line of the PMC Connector. The host should fill in which host interrupt the INTA# line is connected to in the Interrupt Line Routing Register.

Table 4-29 PCI Interrupt Pin Register Description

Field	Description	Read	Write	Value After Reset
7:0	Interrupt Pin register. Indicates which interrupt pin the device uses. The following values are decoded: 0 = No Interrupt Pin 1 = INTA# 2 = INTB# 3 = INTC# 4 = INTD#	Yes	Local Only	1

4.3 Shared Run Time Registers

After the board has been configured for PCI Bus operation the run time registers within the PLX9080-3 are available to the host processor. The most important of these are the Big / Little Endian Descriptor register and the Interrupt Control / Status register. Other registers listed provide information and can be used for special functions.

Table 4-30 SHARED RUN TIME REGISTERS

PCI (offset from Runtime Base Addr)	<u>To ensure software compatibility with other versions of PLX9080-3 family and to ensure compatibility with future enhancement. All unused bits should be written to 0.</u>	Value After Reset
0x0c	Big/Little Endian Descriptor Register	0x0000
0x40	Mailbox Register 0	0x00030003
0x44	Mailbox Register 1	0x00030000
0x48	Mailbox Register 2	0x0000
0x4C	Mailbox Register 3	0x0000
0x50	Reserved	0x0000
0x54	Reserved	0x0000
0x58	Reserved	0x0000
0x5C	Reserved	0x0000
0x60	PCI to Local Doorbell Register	0x0000
0x64	Local to PCI Doorbell Register	0x0000
0x68	Interrupt Control / Status	0x00010100
0x6C	EEPROM Control, PCI Command Codes, User I/O Control, Init Control	0x00017600
0x70	Device ID	Vendor ID 0x906E10B5

4.3.1 Big/Little Endian Descriptor Register (PCI 0Ch)

The PCI bus is a Little Endian bus. Data is longword aligned to the lowermost byte lane. Byte 0(address 0) appears in AD[07:00], byte 1 appears in AD[15:8], byte 2 appears in AD[23:16], byte 3 appears in AD[31:24]. The PLX9080-3 defaults to Little Endian operation for access to the PLX device and for access to the Local PMC-OPTO32A registers. The Local PMC-OPTO32A registers are designed for Little Endian operation.

The PLX9080-3 can be programmed to operate in Big Endian mode thru the use of this register. Bit 0 controls Big Endian access to the PLX9080-3 internal registers. Bit 2 controls Big Endian access to the Local PMC-OPTO32A registers. In Big Endian Transfers the data is longword aligned to the uppermost byte lane. Byte 0(address 0) appears in AD[31:24], byte 1 appears in AD[23:16], byte 2 appears in AD[15:8], byte 3 appears in AD[07:00]. Bit 4 MUST ALWAYS be 0. Bits 1 and 3 are not used.

Table 4-31 Big/Little Endian Register Description

Field	Description	Read	Write	Value After Reset
0	Configuration Register Big Endian mode.	Yes	Yes	0h
1	Direct Master Big Endian mode. Not Used.	Yes	Yes	0
2	Direct Slave Address Space 0 Big Endian mode. A 1 value specifies that Big Endian data ordering is used for Direct Slave accesses to local Address Space 0. A value of 0 specifies Little Endian ordering.	Yes	Yes	0
3	Direct Slave Address Expansion ROM Big Endian select. Not Used.	Yes	Yes	0
4	Big Endian byte lane mode. Must be 0.	Yes	Yes	0
31:5	Not used.	Yes	No	0x0000

4.3.2 Mailbox Register 0 (PCI 40h)

When loaded from the EE Prom, this mailbox is used to contain values to identify the PLD revision, and EE Prom Revision levels of this board. This is provided as information for the host processor.

Table 4-32 Mailbox Register 0 Description

Field	Description	Read	Write	Value After Reset
15:0	PLD Revision Level	Yes	Yes	0x0003
31:16	EE Prom Revision Level	Yes	Yes	0x0003

4.3.3 Mailbox Register 1 (PCI 44h)

When loaded from the EE Prom, this mailbox register is used to identify the overall PMC-OPTO32A board assembly revision level.

Table 4-33 Mailbox Register 1 Description

Field	Description	Read	Write	Value After Reset
15:0	Reserved	Yes	Yes	0x0000
31:16	Board Assembly Revision Level	Yes	Yes	0x0003

4.3.4 Mailbox Register 2 (PCI 48h)

Not Used.

Table 4-34 Mailbox Register 2 Description

Field	Description	Read	Write	Value After Reset
31:0	32 bit mailbox register	Yes	Yes	0

4.3.5 Mailbox Register 3 (PCI 4Ch)

Not Used.

Table 4-35 Mailbox Register 3 Description

Field	Description	Read	Write	Value After Reset
31:0	32 bit mailbox register	Yes	Yes	0

4.3.6 Interrupt Control/Status (PCI 68h)

Bits 8 and 11 MUST be set for the Local PMC-OPTO32A interrupt to generate a PCI interrupt to the host. Doorbell interrupts are not used. Bit 16 concerns the PCI bus generating an interrupt of a local processor. There is no local processor on the PMC-OPTO32A so Bit 16 will have no affect.

Table 4-36 Interrupt Control/Status

Field	Description	Read	Write	Value After Reset
0	Enable Local bus LSERR#. A value of 1 will enable the PLX9080-3 to assert LSERR# interrupt output when the PCI bus Target Abort or Master Abort status bit is set in the PCI Status Configuration Register.	Yes	Yes	0
1	Enable Local bus LSERR# when a PCI parity error occurs during a PLX9080-3 Master Transfer or a PLX9080-3 Slave access.	Yes	Yes	0
2	Generate PCI bus SERR#. When this bit is 0, writing a 1 generates a PCI bus SERR#.	Yes	Yes	0
7:3	Not Used	Yes	No	0
8	PCI interrupt enable. A value of 1 will enable PCI interrupts	Yes	Yes	1
9	PCI doorbell interrupt enable. A value of 1 will enable doorbell interrupts. Used in conjunction with PCI interrupt enable. Clearing the doorbell interrupt bits causing the interrupt will clear the PCI interrupt.	Yes	Yes	0
10	PCI Abort interrupt enable. A value of 1 will enable a master abort or master detect of a target abort to generate a PCI interrupt . Used in conjunction with PCI interrupt enable. Clearing the abort status bits will clear the PCI interrupt.	Yes	Yes	0
11	PCI local interrupt enable. A value of 1 will enable a local interrupt input to generate a PCI interrupt. Use in conjunction with PCI interrupt enable. Clearing the local bus cause of the interrupt will clear the interrupt.	Yes	Yes	0
12	Retry Abort Enable. A value of 1 will enable the PLX9080-3 to treat 256 Master consecutive retries to a Target as a Target Abort. A value of 0 will enable the PLX9080-3 to attempt Master Retries indefinitely.	Yes	Yes	0
13	A value of 1 indicates that the PCI doorbell interrupt is active.	Yes	No	0
14	A value of 1 indicates that the PCI abort interrupt is active.	Yes	No	0
15	A value of 1 indicates that the local interrupt input is active.	Yes	No	0
16	Local interrupt output enable. A value of 1 will enable Local interrupt output.	Yes	Yes	1
17	Local doorbell interrupts enable. A value of 1 will enable doorbell interrupts Used in conjunction with Local interrupt enable. Clearing the Local doorbell interrupt bits causing the interrupt will clear the interrupt	Yes	Yes	0

19:18	Not Used	Yes	No	0
20	A value of 1 indicates that the Local doorbell interrupt is active	Yes	No	0
22:21	Not Used	Yes	No	0
23	A value of 1 indicates that the BIST interrupt is active. The BIST (built in self-test) interrupt is generated by writing a 1 to bit 6 of the PCI Configuration BIST register. Clearing bit 6 clears the interrupt. Refer to the BIST register for a description of self-test.	Yes	No	0
24	A value of 0 indicates that a Direct Master was the bus master during a Master or Target abort.	Yes	No	0
26:25	Not Used	Yes	No	0
27	A value of 0 indicates that a Target Abort was generated by the PLX9080-3 after 256 consecutive Master retries to a Target.	Yes	Yes	0
31:28	Not Used	Yes	No	0

4.3.7 EEPROM Control, PCI Command Codes, User I/O Control (PCI 6Ch)

This register is not used in normal operation. It does contain special bits that could be used in special circumstances. Bits 15 thru 8 will have no affect, the PMC-OPTO32A does not generate direct bus master cycles. Bits 16 and 17, User Output and Input, are connected on the board but at this time do not perform any function, they are reserved for future use. Bits 24 thru 28 can be used to read, or re-program, the PLX configuration EEPROM, they should never be used without consulting the factory. Bit 30 will perform a software reset of the local side of the PMC-OPTO32, everything on the board except the PLX9060ES.

Table 4-37 EEPROM Control, PCI Command Codes, User I/O Control

Field	Description	Read	Write	Value After Reset
7:0	Not Used	Yes	No	0
11:8	PCI Memory Read Command Code for Direct Master	Yes	Yes	0110
15:12	PCI Memory Write Command Code for Direct Master	Yes	Yes	0111
16	General Purpose Output. A value of 1 will cause the USERO output to go high. A value of 0 will cause the output to go low.	Yes	Yes	1
17	General Purpose Input. A value of 1 indicates that USERI input pin is high. A value of 0 indicates that USERI pin is low.	Yes	No	-
23:18	Not Used	Yes	No	0
24	EEPROM clock for Local or PCI bus reads or writes to EEPROM. Toggling this bit generates an EEPROM clock. Refer to the manufacturer's data sheet for the particular EEPROM being used.	Yes	Yes	0
25	EEPROM chip select. For Local or PCI bus reads or writes to EEPROM, setting this bit to a 1 provides the EEPROM chip select.	Yes	Yes	0
26	Write bit to EEPROM. For writes, this output bit is the input to the EEPROM. The EEPROM clock clocks it into the EEPROM.	Yes	Yes	0
27	Read EEPROM data bit. For reads, this input bit is the output of the EEPROM. The EEPROM clock clocks it out of the EEPROM.	Yes	No	-
28	EEPROM present. A 1 in this bit indicates that an EEPROM is present.	Yes	No	0
29	Reload Configuration Registers. When this bit is 0, writing a 1 causes the PLX9080-3 to reload the PCI configuration registers from EEPROM.	Yes	Yes	0
30	PCI Adapter Software Reset. A value of 1 written to this bit will hold the local bus logic in the PLX9080-3 reset and LRESETO# asserted. The contents of the PCI configuration registers and Shared Run Time registers will not be reset. Software Reset can only be cleared from the PCI bus.	Yes	Yes	0
31	Local Init Status 1 = local init done. Responses to PCI accesses will be RETRYs until this bit is set. While Input NB# is asserted low this bit will be forced to 1.	Yes	Yes	0

4.3.8 PCI Configuration ID Register(PCI 70h)

The Device ID and Vendor ID can be read at this offset using normal PCI bus reads, configuration cycles are not required. It is useful for device driver troubleshooting.

Table 4-38 PCI Configuration ID Register Description

Field	Description	Read	Write	Value After Reset
15:0	Vendor ID – Identifies the manufacturer of the device. Defaults to the PCI SIG issued vendor ID of PLX. If no EEPROM is present and pin NB# (no local bus initialization) is asserted low.	Yes	No	10B5h
31:16	Device ID – Identifies the particular device. Defaults to the PLX part number for PCI interface chip if no EEPROM is present and pin NB# (no local bus initialization) is asserted low.	Yes	No	906Eh

Appendix A

INTERRUPTS:

For Interrupt Operation, the Desired Interrupts are Enabled on the Opto isolator board AND Interrupts MUST be enabled At / Thru the PLX Interface chip. To enable Event Counter Overflow Interrupts, Bit[6] of the Board Control Register must be set to a 1.

```
outportb(Opto_register_base_address + 0x00, 0xc0 );
// Byte write, Turn LED off, Enable Event Overflow Interrupt.
outportl(Opto_register_base_address + 0x0c, 0x0ffe );
// Long word write, Event Counter, -2.
// The Second Rising Edge detected will generate the Interrupt
```

To Enable COS Interrupts, Any / All Desired COS Interrupt bit's are enabled thru the COS Interrupt Enable Register.

```
outportl(Opto_register_base_address + 0x010, 0x08421 );
// Long word write, Offset 0x010, Enable Interrupts on
// COS Bit's 0, 5, 10, and 15.
```

All other Machine dependent actions should be taken before the final steps in the process. Make ABSOLUTELY sure that there is NO Pending status laying around that is already setting an interrupt action. Either use the master clear's

```
outportb(Opto_register_base_address + 0x00, 0xdf );
// Byte write, Turn LED off, Enable Event Overflow Interrupt.
// Master Clear All COS and Clear the Event Counter overflow .
// NOTE NOTE NOTE NOTE
// The Master Clear will Clear ALL COS Bits.
// The Byte Clear's will ALSO Clear ALL COS Bits in that Byte.
// To Only Clear the Bit generating the Interrupt,
// you must use the individual Clear's as
// Described below.
```

Or, Individual Clears for the COS and Event Overflow.

```
Outportl(Opto_register_base_address + 0x08, 0x08421 );
// Long word write, Offset 0x08, COS register, Clear
// COS Bit's 0, 5, 10, and 15. If they are set.
```

```
Outportb(Opto_register_base_address + 0x00, 0xc8 );
// Byte write, Turn LED off, Enable Event Overflow Interrupt.
// Clear Event Overflow
```

The final step is the write to the PLX interface that will enable it to generate Interrupts onto the PCI bus.

```
Outportl(PLX_io_base_address + 0x068, 0x00900 );
// Long word write, PLX interrupt control register,
// Bit's 8 and 11, Enable Local input to generate PCI interrupts
```

In the Interrupt Handler, there is NO action required to / with the PLX Interface chip. The only requirement to remove the Asserted interrupt is to remove the Local source of the interrupt. Which would be the COS bit or the event overflow.

```
temp = inportb(Opto_register_base_address + 0x00 ) ;
    // Read the OPTO Board Status register
if ( (temp & 0x010) == 1 )
    {
        // Master Interrupt bit will be set in the Board Status
        // Register if this board generated the Interrupt.
        // Status Bits 0 thru 3 could also be examined to
        // Determine Which Byte generated the Interrupt
        // Or if the Event Counter Overflow generated
        // The Interrupt.
        .
        .
        .
        .
        // Finished processing, Now It's time to clear the
        // Pending Interrupt.

        Outportl(Opto_register_base_address + 0x08, 0x08421 ) ;
        // Long word write, Offset 0x08, COS register, Clear
        // COS Bit's 0, 5, 10, and 15. If they are set.

        Outportb(Opto_register_base_address + 0x00, 0xc8 );
        // Byte write, Turn LED off, Enable Event Overflow Interrupt.
        // Clear Event Overflow
    }
}
```

To Disable All Interrupt's From the OPTO board, write to the PLX interface Chip.

```
Outportl(PLX_io_base_address + 0x068, 0x0000 ) ;
// Long word write, PLX interrupt control register,
// Clear Bit's 8 and 11, disable All PCI interrupts
```