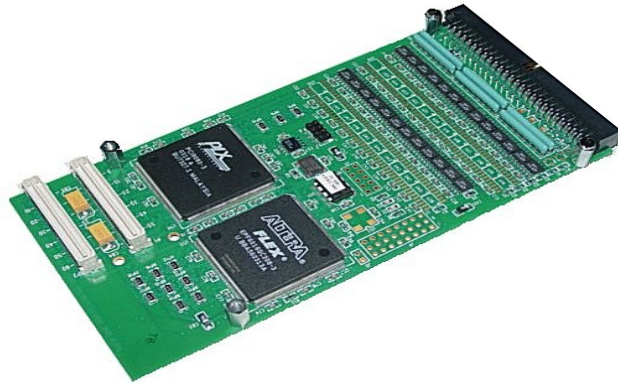


General Standards Corporation

High Performance Bus Interface Solutions

PMC-DIO24

High-speed Parallel Digital I/O PMC Board



Features Include:

- Data input/output width of 24 bits.
- RS422/485 differential I/O transceivers or LVDS differential I/O transceivers.
- 50 pin front panel connector for easy access via twisted pair ribbon cable.
- A single board can interface to a wide variety of external high-speed devices.
- Flexibility for custom protocols is provided by a Field Programmable Gate Array (FPGA).
- 32-Bit data transfers at 33 MHz on the PCI bus.
- 132 Mbytes per second PCI transfer rate in burst mode.
- Windows and Linux drivers available with sample code.

Applications Include:

- ✓ Data acquisition and control.
- ✓ General Purpose Parallel Input / Output interface.
- ✓ Development and research.

Overview:

The DIO24 is a 24-bit discrete I/O interface board. The host side connection is PCI based and the external I/O interface is accessible through a 50 pin connector. The external interface includes 24 signals that can be arbitrarily programmed as either input or output. The 24 programmable signals are divided into three groups of eight signals each; Port A, Port B and Port C. Port A and B signals are each programmable as all inputs or all outputs. The Port C signals are individually programmable as input or output. One extra signal can be configured to generate an external clock or used as an additional input.

General Standards Corporation

8302A Whitesburg Drive • Huntsville, AL 35802

Phone: (256)880-8787 or (800)653-9970

FAX: (256)880-8788

Email: sales@generalstandards.com

ORDERING INFORMATION

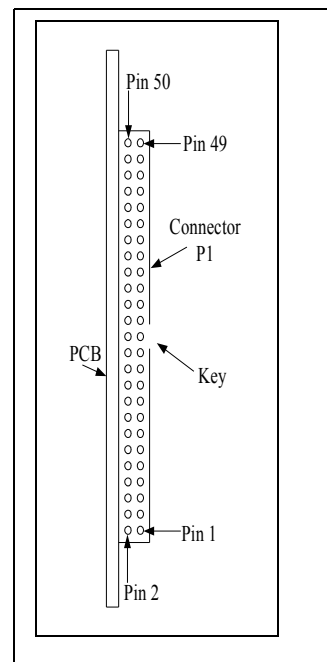
The DIO24 is designed to fit a variety of high-speed digital interface needs and has several options that must be specified when being ordered. Please consult our sales department with your application requirements in order to determine the correct ordering options.

SYSTEM I/O CONNECTIONS

System Connector Pin Functions

Pin No.	Cable Signal Name
1	PORT A D0 +
2	PORT A D0 -
3	PORT A D1 +
4	PORT A D1 -
5	PORT A D2 +
6	PORT A D2 -
7	PORT A D3 +
8	PORT A D3 -
9	PORT A D4 +
10	PORT A D4 -
11	PORT A D5 +
12	PORT A D5 -
13	PORT A D6 +
14	PORT A D6 -
15	PORT A D7 +
16	PORT A D7 -
17	PORT B D0 +
18	PORT B D0 -
19	PORT B D1 +
20	PORT B D1 -
21	PORT B D2 +
22	PORT B D2 -
23	PORT B D3 +
24	PORT B D3 -
25	PORT B D4 +

Pin No.	Cable Signal Name
26	PORT B D4 -
27	PORT B D5 +
28	PORT B D5 -
29	PORT B D6 +
30	PORT B D6 -
31	PORT B D7 +
32	PORT B D7 -
33	PORT C D0 +
34	PORT C D0 -
35	PORT C D1 +
36	PORT C D1 -
37	PORT C D2 +
38	PORT C D2 -
39	PORT C D3 +
40	PORT C D3 -
41	PORT C D4 +
42	PORT C D4 -
43	PORT C D5 +
44	PORT C D5 -
45	PORT C D6 +
46	PORT C D6 -
47	PORT C D7 +
48	PORT C D7 -
49	Dedicated INPUT +
50	Dedicated INPUT -



The connector mounted on the board is manufactured by Tyco and has the part number AMP 1-103311-0. The part number of the mating connector is AMP 1-746285.

General Standards Corporation assumes no responsibility for the use of any circuits in this product. No circuit patent licenses are implied. Information included herein supersedes previously published specifications on this product and is subject to change without notice.