

PCIe-16A064C

16-Bit, 64/32-Channel, 500KSPS PCI Express Analog Output Board

With Optional Outputs-Disconnect

Features Include:

- Precision 16-Bit simultaneously-clocked analog outputs: R-2R DAC per channel
- Available with either *64 single-ended* outputs, or *32 balanced-differential* outputs
- Software-selectable ranges of $\pm 10V$, $\pm 5V$. Optionally 0 to +10V, or 0 to +5V.
- Output clocking rates from zero to 500K samples per second per channel.
- Optional Outputs-Disconnect feature supports multiple-board redundancy, and eliminates outputs activity during autocalibration
- Remote ground-sense input minimizes the effects of interground potentials
- Supports Block-mode and Demand-mode DMA transactions
- 256K-Sample output data FIFO buffer; Configurable as open or closed (circular)
- Simultaneous output clocking, with emulated sequential outputs also supported
- Multiboard synchronization supported
- Continuous and Triggered-Burst output modes support seamless waveform sequencing
- Data clocking rate controlled internally or externally
- High accuracy ensured by on-demand Autocalibration of all channels
- x1 Link PCI Express Port operating at 2.5Gbps
- Available on multiple form factors, including PCI, cPCI and PC104-Plus, as well as PMC, PCIX and cPCIX. Contact Sales for availability

Applications Include:

- | | | |
|---------------------------|-------------------|-----------------------|
| ✓ Precision Voltage Array | ✓ Servo Control | ✓ Waveform Synthesis |
| ✓ High Density Outputs | ✓ Process Control | ✓ Industrial Robotics |

PRELIMINARY

REV: 101412

FUNCTIONAL DESCRIPTION

The PCIe-16AO64C is a precision 16-Bit analog output product that provides 64 simultaneously clocked output channels in a PCIe form factor. Outputs can be clocked at rates up to 500 KSPS per channel, and are supported by a 256K-Sample FIFO data buffer. Both continuous and burst clocking modes are supported, and voltage ranges are software-selectable as $\pm 10V$ or $\pm 5V$; or optionally as 0 to +10V or 0 to +5V. Clocking and triggering rates can be derived from an internal rate generator, or from external clock and trigger sources to support the synchronous operation of multiple boards. When equipped with the optional outputs-disconnect feature, the outputs can be disconnected from the system I/O connector under software control.

Each analog output channel implements an R-2R DAC, which minimizes latency and has no minimum clocking rate. The outputs can be factory-configured for single-ended operation or for 3-wire balanced differential operation.

On-demand autocalibration determines and applies error correction for all output channels.

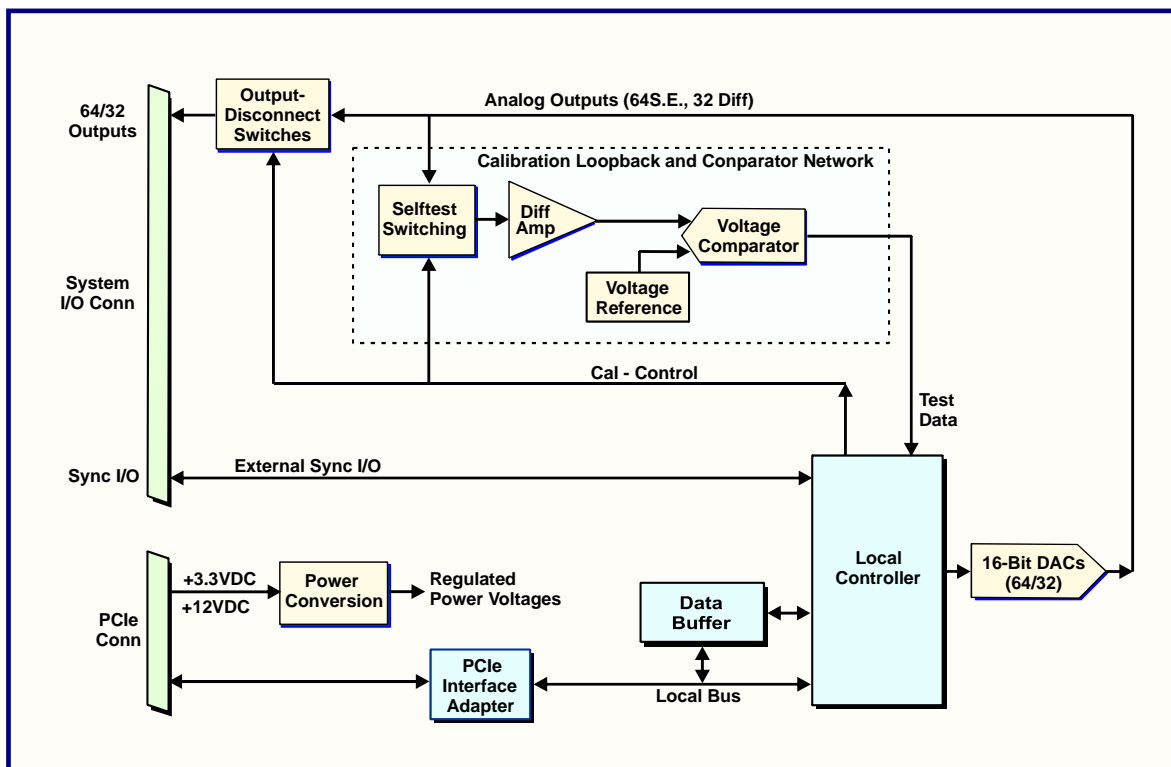


Figure 1. PCIe-16AO64C; Functional Organization

Power requirements consist of +12VDC and +3.3VDC in compliance with the PCI Express specification, and analog power voltages are generated internally. Operation over the specified temperature range is achieved with conventional air cooling.

PERFORMANCE SPECIFICATIONS

At +25 °C, with specified operating voltages

Analog Output Characteristics:

Configuration:	64 simultaneously clocked single-ended output channels with a dedicated 16-Bit R-2R DAC per channel. Optionally available as 32-Channel 3-wire balanced differential. 32SE/16Diff version also available
Voltage Ranges:	Software-selectable as $\pm 10V$ or $\pm 5V$. Optionally as 0 to +10V or 0 to +5V. (Contact Sales for other, custom ranges)
Output Resistance:	1.0-Ohm maximum at I/O connector pins, without outputs-disconnect option; or 2.5-Ohm maximum with outputs-disconnect. (Greater than 50 K-Ohms if the outputs-disconnect feature is installed and enabled).
Output protection:	Withstands sustained short-circuiting to ground
Loading:	Zero to $\pm 3mA$, any single channel. <i>Maximum total of 64mA on all outputs.</i> Stable with any load capacitance up to 20,000 PFD.
Line Imbalance:	(With optional 3-Wire differential output configuration) $\pm 10mV$ max.
Signal/Noise Ratio (SNR):	85dB typical on $\pm 10V$ range; 10Hz - 250kHz. No filter.
Glitch Impulse:	10 nV-s, typical on the $\pm 10V$ range

Analog Output Transfer Characteristics:

Resolution:	16 Bits (0.0015 percent of FSR)		
Output Access:	256 K-Sample FIFO buffer.		
DC Accuracy: (Max error, no-load)	<u>S.E. Range</u>	<u>S.E. Zero Accuracy</u>	<u>S.E. \pmFullscale Accuracy</u>
	$\pm 10V$	$\pm 2.4mV$	$\pm 3.3mV$
	$\pm 5V$	$\pm 1.7mV$	$\pm 2.5mV$
	0 to +10V	$\pm 2.2mV$	$\pm 3.1mV$
	0 to +5V	$\pm 1.5mV$	$\pm 2.3mV$
	<u>Diff Range*</u>	<u>Diff Zero Accuracy</u>	<u>Diff \pmFullscale Accuracy</u>
	$\pm 10V$	$\pm 2.4mV$	$\pm 5.0mV$
	$\pm 5V$	$\pm 1.7mV$	$\pm 3.0mV$
	0 to +10V	$\pm 2.2mV$	$\pm 4.5mV$
	0 to +5V	$\pm 1.5mV$	$\pm 2.6mV$
	* Differential output is measured between the even (HI) and odd (LO) outputs in each even-odd channel pair.		
Maximum Clocking Rate:	500KSPS.		
Settling Time:	7us to 0.1 percent of step, typical with halfscale step and no output filter.		
Bandwidth:	10kHz, 100kHz or No Filter (greater than 200kHz). See ordering options.		
Crosstalk Rejection:	90 dB minimum, DC-100 kHz		
Integral Nonlinearity:	± 0.008 percent of FSR, maximum		
Differential Nonlinearity:	± 0.0035 percent of FSR, maximum (15 Bits DNL). Monotonic to 16 Bits.		
Remote Ground Sense	Input resistance approx 30KOhm when enabled, >1 Megohm when disabled. Input range: $\pm 2.0V$; Protected to $\pm 25V$ Correction accuracy: ± 1 -percent. Bandwidth: DC-10kHz.		

Analog Output Operating Modes and Controls

Output Data Buffer:	256 K-sample FIFO
Sample Clock Sources:	Internal rate generator; External Clock I/O, Software clock. 500kHz max.
Triggering Sources:	Internal rate generator, TTL external trigger I/O, Software trigger.
Clocking Modes:	Continuous or periodic. Supports triggered functions.
Internal Rate Generator:	Programmable from 3 to 500,000 output clocks per second. Divides Master Clock frequency to clocking rate using a 24-bit divider.
Output Filters:	Single-pole lowpass filter, factory configured as: No filter, 100kHz, or 10kHz.
External Sync I/O:	Bidirectional Clock and trigger, TTL
Output Data Format:	16 Bits, selectable as offset binary or two's complement coding, with attached end-of-function flag and channel number.
Outputs Disconnect: (Optional)	A single control bit disconnects all outputs from the system I/O connector.

PCIe Compatibility:

Conforms to PCI Express Specification revision 1.0a.
DMA transfers as bus master with two DMA channels.

Power Requirements:

+3.3VDC \pm 0.2 VDC from the PCIe bus, 0.9 Amps typical, 1.0 Amps maximum.
+12VDC \pm 0.4 VDC from the PCIe bus, 0.5 Amps typical, 0.6 Amps maximum.
Total power consumption: 9.4 Watts typical, 11 Watts maximum.
All outputs loaded with 1.0mA:

Physical Dimensions::

Height: 110.1 mm (4.37 in)
Width: 18.7mm (0,74 in) not including bracket..21.6 mm (0.85 in) with Bracket.
Depth: 174.63 mm (6.60 in)

Environmental Specifications:

Ambient Temperature Range:

Standard Temperature:

Operating: 0 to +70 Degrees Celsius *
Storage: -40 to +85 Degrees Celsius

Extended Temperature:

Operating: -40 to +80 Degrees Celsius *
Storage: -40 to +85 Degrees Celsius

* Air temperature at board surface.

Relative Humidity:

0 to 95%, non-condensing

Altitude:

Operation to 10,000 ft.

Cooling:

Conventional air cooling; 150 LFPM

Ordering Information:

Specify the basic product model number followed by an option suffix "-A-B-C-D-E", as indicated below. For example, model number **PCIe-16AO64C-64S-BP-F1-49.152M-OD-0** describes a module with 64 single-ended output channels, bipolar output ranges, no output filter, a 49.152MHz master clock frequency, Outputs-Disconnect feature installed, and no custom features

Table 1. Ordering Options

Optional Parameter	Value	Specify Option As:
Number of Channels:	64 Single-ended output channels	A = 64S
	32 Differential output channels	A = 32D
	32 Single-ended output channels	A = 32S
	16 Differential output channels	A = 16D
Output Ranges:	Bipolar: Software-selectable $\pm 10V$, $\pm 5V$.	B = BP
	Unipolar: Software-selectable 0 to +10V, 0 to +5V.	B = UP
Output Filters ¹	No filter (~200kHz)	C= F1
	100kHz ²	C= F2
	10kHz ²	C= F3
Master Clock Frequency ¹	Standard 49.152MHz (25PPM)	D= 49.152M
	---	---
Outputs Disconnect Feature	No Outputs Disconnect	E = 0
	Outputs-Disconnect Feature Installed	E = OD
Custom Features:	---	F = 0

¹ Contact factory for custom frequencies.

² $\pm 30\%$ Typical.

SYSTEM INTERFACE CONNECTIONS

Table 2. System I/O Connector

Single-Ended Signal *			Differential Signal *		
Pin	Row-A	Row-B	Pin	Row-A	Row-B
1	OUT00	OUT34	1	OUT00 HI	OUT17 HI
2	OUT01	OUT35	2	OUT00 LO	OUT17 LO
3	OUT02	OUT36	3	OUT01 HI	OUT18 HI
4	OUT03	OUT37	4	OUT01 LO	OUT18 LO
5	OUT04	OUT38	5	OUT02 HI	OUT19 HI
6	OUT05	OUT39	6	OUT02 LO	OUT19 LO
7	OUT06	OUT40	7	OUT03 HI	OUT20 HI
8	OUT07	OUT41	8	OUT03 LO	OUT20 LO
9	OUT08	OUT42	9	OUT04 HI	OUT21 HI
10	OUT09	OUT43	10	OUT04 LO	OUT21 LO
11	OUT10	OUT44	11	OUT05 HI	OUT22 HI
12	OUT11	OUT45	12	OUT05 LO	OUT22 LO
13	OUT RTN	OUT RTN	13	OUT RTN	OUT RTN
14	OUT RTN	OUT RTN	14	OUT RTN	OUT RTN
15	OUT12	OUT46	15	OUT06 HI	OUT23 HI
16	OUT13	OUT47	16	OUT06 LO	OUT23 LO
17	OUT14	OUT48	17	OUT07 HI	OUT24 HI
18	OUT15	OUT49	18	OUT07 LO	OUT24 LO
19	OUT16	OUT50	19	OUT08 HI	OUT25 HI
20	OUT17	OUT51	20	OUT08 LO	OUT25 LO
21	OUT18	OUT52	21	OUT09 HI	OUT26 HI
22	OUT19	OUT53	22	OUT09 LO	OUT26 LO
23	OUT20	OUT54	23	OUT10 HI	OUT27 HI
24	OUT21	OUT55	24	OUT10 LO	OUT27 LO
25	OUT22	OUT56	25	OUT11 HI	OUT28 HI
26	OUT23	OUT57	26	OUT11 LO	OUT28 LO
27	OUT RTN	OUT RTN	27	OUT RTN	OUT RTN
28	OUT RTN	OUT RTN	28	OUT RTN	OUT RTN
29	OUT24	OUT58	29	OUT12 HI	OUT29 HI
30	OUT25	OUT59	30	OUT12 LO	OUT29 LO
31	OUT26	OUT60	31	OUT13 HI	OUT30 HI
32	OUT27	OUT61	32	OUT13 LO	OUT30 LO
33	OUT28	OUT62	33	OUT14 HI	OUT31 HI
34	OUT29	OUT63	34	OUT14 LO	OUT31 LO
35	OUT30	OUT RTN	35	OUT15 HI	OUT RTN
36	OUT31	OUT RTN	36	OUT15 LO	OUT RTN
37	OUT32	DIG RTN	37	OUT16 HI	DIG RTN
38	OUT33	CLK I/O	38	OUT16 LO	CLK I/O
39	OUT RTN	DIG RTN	39	OUT RTN	DIG RTN
40	REM GND	TRIG I/O	40	REM GND	TRIG I/O

* Outputs can be factory-configured for either single-ended or differential operation.

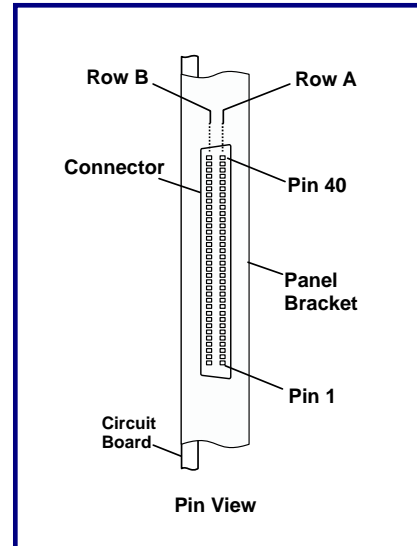


Figure 2. System I/O Connector

System Mating Connector:

Standard 80-pin 0.050" dual-ribbon socket connector:

Robinson Nugent **P50E-080S-TG** or equivalent.

General Standards Corporation assumes no responsibility for the use of any circuits in this product. No circuit patent licenses are implied. Information included herein supersedes previously published specifications on this product and is subject to change without notice.