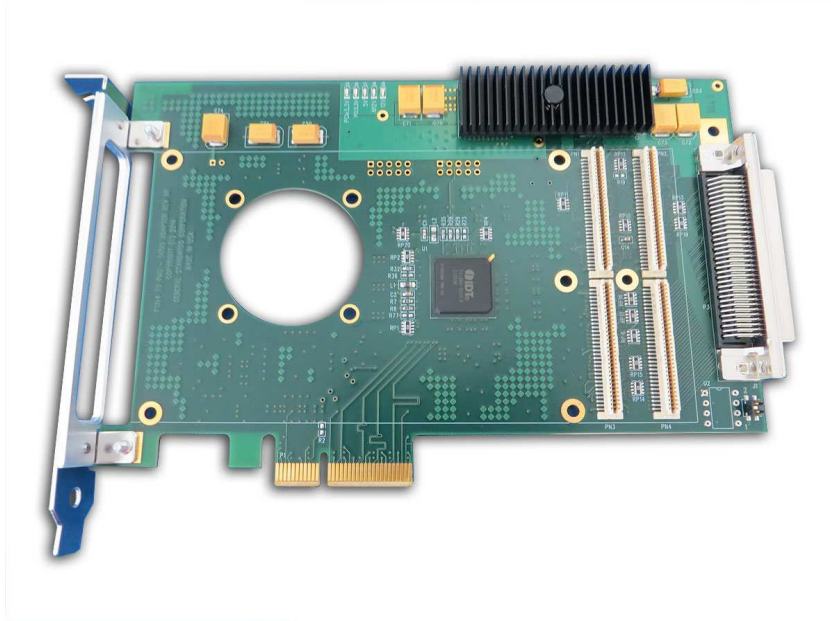


General Standards Corporation

High Performance Bus Interface Solutions

PCIe4 to PMC SCSI3 Adapter



Features:

- **Identical to our PCIe4 to PMC Adapter except for new SCSI3 connector**
- **Supports 32/64 bit PCI/PCI-X Bus**
- **Supports both 3.3v & 5v PCI Signaling**
- **Supports 33/66Mhz PCI Bus, 66/133Mhz PCI-X Bus**
- **Supports PMC Rear I/O to 68 pin right-angle SCSI3 connector**
- **Adapts a single-width PMC form factor to a 4 lane PCI Express (x4 link)**
- **The PCI Express interface supports 4 lanes operating at 2.5 Gbps per lane**
- **Extended temperature range (-40 to +85 degrees Celsius)**
- **Optional fan for additional cooling**

Rev: 032614

General Standards Corporation

8302A Whitesburg Drive · Huntsville, AL 35802

Phone: (256) 880-8787 or (800) 653-9970 FAX: (256) 880-8788 Email: quotes@generalstandards.com

PCIe & PCI Compatibility:

- PCI Local Bus Specification, Revision 3.0
- PCI Express Base Specification, Revision 1.0a
- PCI Express to PCI Bridge Specification, Revision 1.0

Electrical Characteristics:

The adapter supplies power to the PMC module via internal power supplies:

Supplied by PCIe bus:			(Indicator, LED)
+3.3vdc	–	8.0A, max;	(LED D6)
+5vdc	–	8.0A, max;	(LED D7)
+12vdc	–	1.0A, max;	(LED D9)
-12vdc	–	400mA, max;	(LED D8)

LEDS

These LEDs are used to monitor the PCIe bus.

D1 – Lane 3, always on, indicates proper link to the PCIe bus. Flashing – problem with the link.

D2 – Lane 2, always on, indicates proper link to the PCIe bus. Flashing – problem with the link.

D3 – Lane 1, always on, indicates proper link to the PCIe bus. Flashing – problem with the link.

D4 – Lane 0, always on, indicates proper link to the PCIe bus. Flashing – problem with the link.

D5– Always on, indicates 3.3v supply from PCIe bus.

D11– Only on, when a PCIe reset occurs.

Mechanical Characteristics:

Height: ~15.0 mm (0.59 in).

Depth: ~174.0 mm (6.85 in). [small increase here is due to right-angle SCSI3 connector]

Width: ~106.7 mm (4.20 in).

Environmental Specifications:

Ambient Temperature Range: Operating: -40 to +85 Degrees Celsius

Storage: -65 to +150 Degrees Celsius

Relative Humidity: Operating: 0 to 80%, non-condensing

Storage: 0 to 95%, non-condensing

General Standards Corporation

8302A Whitesburg Drive · Huntsville, AL 35802

Phone: (256) 880-8787 or (800) 653-9970 FAX: (256) 880-8788 Email: quotes@generalstandards.com

Ordering Information:

Specify the basic product model number followed by an option suffix "-x-x", as indicated below. For example, model number "PCIe4 to PMC SCSI3 Adapter-1-1" describes a board, which has an external fan installed and VIO is set to +5v. Cables are available for the RIO feature. Contact the factory for more details.

Optional Parameter	Value	Specify Option As:
External Fan* (40x40x6, 5.2 cfm)	none	0 or leave blank
	external	1
VIO (PCI signal level)	+3.3v	0 or leave blank
	+5v	1

* Contact factory for additional cooling fan options.

This spec sheet comprises/provides the entire documentation needed for supporting this product.

General Standards Corporation assumes no responsibility for the use of any circuits in this product. No circuit patent licenses are implied. Information included herein supersedes previously published specifications on this product and is subject to change without notice.

General Standards Corporation

8302A Whitesburg Drive · Huntsville, AL 35802

Phone: (256) 880-8787 or (800) 653-9970 FAX: (256) 880-8788 Email: quotes@generalstandards.com

SYSTEM REAR I/O CONNECTOR PIN ASSIGNMENTS

PCIe4 to PMC with 68-Pin SCSI-3 I/O Connector

Table 1. SCSI-3 System I/O Connector

SCSI3 PIN	PMC Pn4 PIN	SCSI3 PIN	PMC Pn4 PIN
1	I/O - 1	35	I/O - 2
2	I/O - 3	36	I/O - 4
3	I/O - 5	37	I/O - 6
4	I/O - 7	38	I/O - 8
5	I/O - 9	39	I/O - 10
6	I/O - 11	40	I/O - 12
7	I/O - 13	41	I/O - 14
8	I/O - 15	42	I/O - 16
9	I/O - 17	43	I/O - 18
10	I/O - 19	44	I/O - 20
11	I/O - 21	45	I/O - 22
12	I/O - 23	46	I/O - 24
13	I/O - 25	47	I/O - 26
14	I/O - 27	48	I/O - 28
15	I/O - 29	49	I/O - 30
16	I/O - 31	50	I/O - 32
17	I/O - 33	51	I/O - 34
18	I/O - 35	52	I/O - 36
19	I/O - 37	53	I/O - 38
20	I/O - 39	54	I/O - 40
21	I/O - 41	55	I/O - 42
22	I/O - 43	56	I/O - 44
23	I/O - 45	57	I/O - 46
24	I/O - 47	58	I/O - 48
25	I/O - 49	59	I/O - 50
26	I/O - 51	60	I/O - 52
27	I/O - 53	61	I/O - 54
28	I/O - 55	62	I/O - 56
29	I/O - 57	63	I/O - 58
30	I/O - 59	64	I/O - 60
31	I/O - 61	65	I/O - 62
32	I/O - 63	66	I/O - 64
33	GND	67	GND
34	GND	68	GND

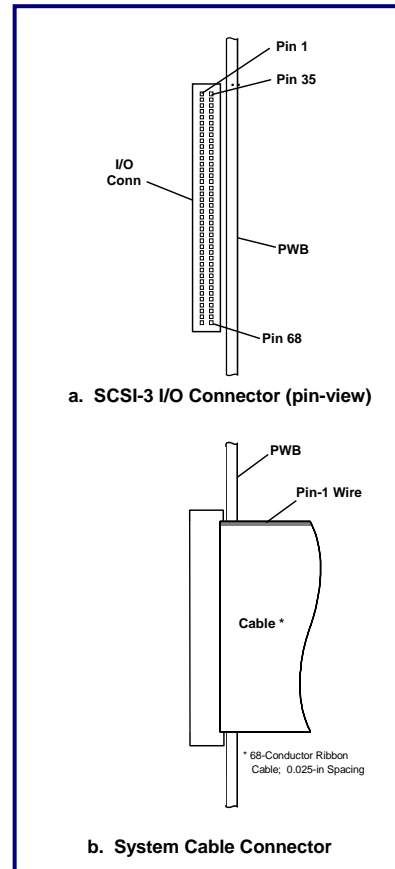


Figure 1. SCSI-3 System I/O Connector

System Cable Mating Connector:

68-pin 0.050" Subminiature connector with metal shield:
AMP #749621-7 or equivalent.

I/O Connector Installed on Adapter (Ref):

Amp # 787170-7.

General Standards Corporation

8302A Whitesburg Drive · Huntsville, AL 35802

Phone: (256) 880-8787 or (800) 653-9970 FAX: (256) 880-8788 Email: quotes@generalstandards.com