

General Standards Corporation

High Performance Bus Interface Solutions

66-18AI64SSC500K

64-Channel, 18-Bit Simultaneous Sampling Analog Input Board

With 500 KSPS Sample Rate per Channel and 66 MHz PCI Support

(In Development)

Available also in PMC, PCI, cPCI and PC104-Plus and PCI Express form factors as:

PMC66-18AI64SSC500K:	PMC, Single-width
PCI66-18AI64SSC500K:	PCI, short length
Cpci66-18AI64SSC500K:	cPCI, 3U
PC104P66-18AI64SSC500K:	PC104-Plus
PCIe66-18AI64SSC500K:	PCI Express
PCIe10466-18AI64SSC500K:	PCIe, one-lane on PC/104 form factor

See Ordering Information for details. Call for availability of other form factors, such as XMC, CCPMC, etc.

Features

- 64 Analog inputs with dedicated 500KSPS 18-Bit SAR ADC per Channel
- Simultaneous sampling of all inputs; Minimum Data Skew
- Sampling Rates to 500 KSPS per channel (32 MSPS aggregate rate)
- Continuous, Burst and Single-Sample Clocking Modes
- Software and I/O pinout compatibility with the 16AI64SSA/C
- Selectable Differential Processing Simulates Differential Operation of Channel Pairs
- Input Ranges software-selectable as $\pm 10V$, $\pm 5V$, 0 to +5V or 0 to +10V
- Hardware Sync I/O for Multiboard Operation
- 1 MByte FIFO buffer provides 256 K-Sample data capacity
- A software-selectable low-latency configuration provides 64 registers that duplicate the last sample from all A/D converters
- 2-Channel DMA Engine
- Sampling and burst triggering controlled by internal rate generators, or by direct software control, or externally
- On-demand internal autocalibration of all channels
- Completely software-configurable; No field jumpers
- D32; 66MHz, 33MHz PCI compatibility, with universal 5V/3.3V Signaling
- Internal Sync/Clock I/O connector
- PMC version protected with integral EMI shield over analog components

Typical Applications

- | | | |
|------------------------------|-----------------------------|--------------------------|
| ✓ High-Density Analog Inputs | ✓ Industrial Robotics | ✓ Acoustic Sensor Arrays |
| ✓ Analog Event Capture | ✓ Biometric Signal Analysis | ✓ Dynamic Test Systems |

- PRELIMINARY -

Rev: 041013

General Standards Corporation

8302A Whitesburg Drive · Huntsville, AL 35802

Phone: (256) 880-8787 or (800) 653-9970 FAX: (256) 880-8788 Email: Solutions@GeneralStandards.com

Functional Description

The 18-Bit 66-18AI64SSC500K analog input board samples and digitizes 64 input channels simultaneously at rates up to 500,000 samples per second for each channel. Each input channel contains a dedicated 18-Bit sampling ADC, and the resulting 18-bit sampled data is available to the PCI bus through a 256 K-Sample FIFO buffer. Throughput capacity is further enhanced with 66MHz PCI support and increased local clocking frequency. All operational parameters are software configurable.

Inputs can be sampled in groups of 1, 2, 4, 8, 16, 32 or 64 channels; or software can select a first and last channel to be acquired. The sample clock can be generated from an internal rate generator, or by software or external hardware. Input ranges are software-selectable as $\pm 10V$, $\pm 5V$, 0 to +5V or 0 to +10V.

An on-demand autocalibration feature determines offset and gain correction values for each input channel, and applies the corrections digitally during acquisition. A selftest switching network routes calibration reference signals to each channel through internal selftest switches, and permits board integrity to be verified by the host..

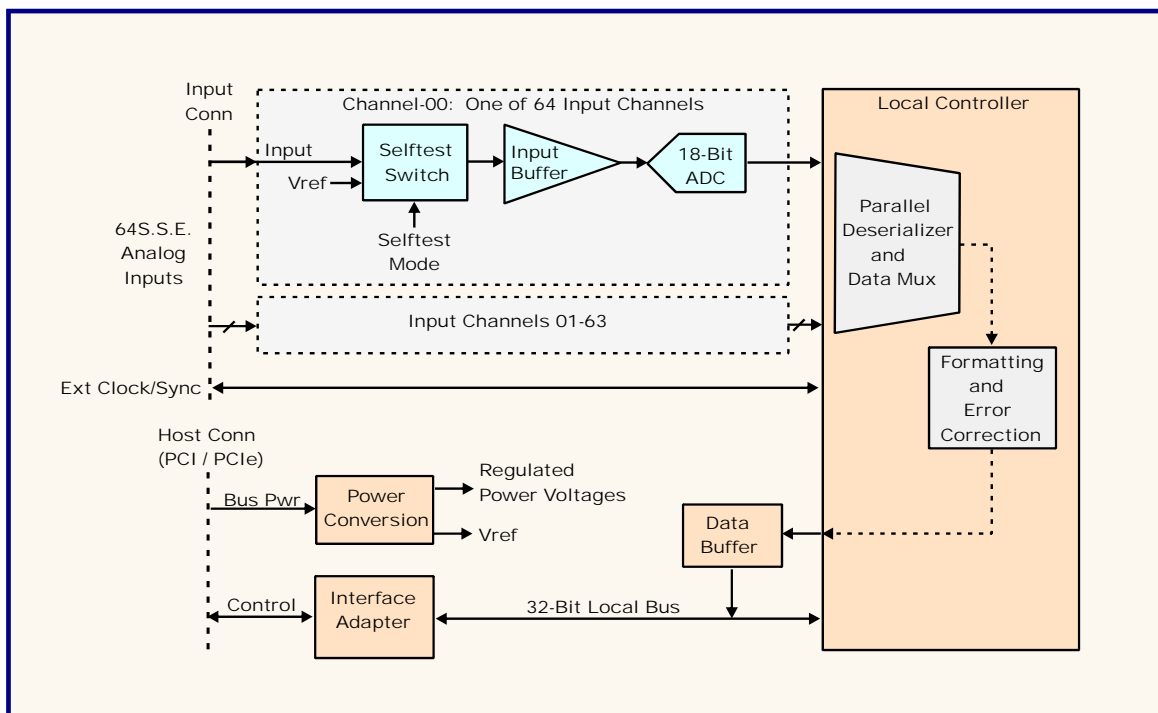


Figure 1. PM66-18AI64SSC500K; Functional Organization

This product is functionally compatible with the IEEE PCI local bus specification Revision 2.3 for PMC, PC104 *Plus*, or PCI products, or with the PCIe Specification revision 2.0 for PCI Express products. System input/output connections are made at the front panel through a single high-density connector. Operation over the specified temperature range is achieved with conventional convection cooling.

Performance Specifications

At +25 °C, with specified operating conditions, and with differential processing deselected

Input Characteristics:

Configuration:	64 single-ended analog input channels; Dedicated 18-Bit SAR ADC per channel. Optional 32-Channel version available.
Voltage Ranges:	Software configurable as $\pm 10V$, $\pm 5V$, 0 to +10V or 0 to +5V.
Input Impedance:	750 KOhms, typical.
Bias Current:	2ua maximum, $\pm 5V$ range; 4ua maximum $\pm 10V$ range
Crosstalk Rejection:	90dB typical, DC-50kHz
Input Noise	0.2 mVRMS; typical, all ranges; 0.01-250kHz (91dB SNR on $\pm 10V$ range). (0.5mVRMS with differential processing selected).
Overvoltage Protection:	± 40 Volts with power removed; $\pm 25V$ with power applied.

Transfer Characteristics:

Resolution:	18 Bits (0.0004 percent of FSR)															
Maximum Sample Rate:	500 KSPS per channel															
Channels per Sample:	1, 2, 4, 8, 16, 32 or 64 channels, or first and last channel selection.															
DC Accuracy: (Maximum composite error after autocalibration)	<table><thead><tr><th>Range</th><th>Zero-Input *</th><th>Fullscale *</th></tr></thead><tbody><tr><td>$\pm 10V$</td><td>$\pm 1.2mv$</td><td>$\pm 2.2mv$</td></tr><tr><td>$\pm 5V$</td><td>$\pm 0.9mv$</td><td>$\pm 1.8mv$</td></tr><tr><td>0/+10V</td><td>$\pm 1.5mv$</td><td>$\pm 3.0mv$</td></tr><tr><td>0/+5V</td><td>$\pm 1.1mv$</td><td>$\pm 2.1mv$</td></tr></tbody></table> <p>* Averaged values, referred to inputs. Typical values are approximately one-half the maximum values shown here.</p>	Range	Zero-Input *	Fullscale *	$\pm 10V$	$\pm 1.2mv$	$\pm 2.2mv$	$\pm 5V$	$\pm 0.9mv$	$\pm 1.8mv$	0/+10V	$\pm 1.5mv$	$\pm 3.0mv$	0/+5V	$\pm 1.1mv$	$\pm 2.1mv$
Range	Zero-Input *	Fullscale *														
$\pm 10V$	$\pm 1.2mv$	$\pm 2.2mv$														
$\pm 5V$	$\pm 0.9mv$	$\pm 1.8mv$														
0/+10V	$\pm 1.5mv$	$\pm 3.0mv$														
0/+5V	$\pm 1.1mv$	$\pm 2.1mv$														
Input Bandwidth (-3dB):	DC to 250 kHz typical. See ordering options for custom bandwidths.															
Integral Nonlinearity:	± 0.002 percent of FSR, maximum															
Differential Nonlinearity:	± 0.001 percent of FSR, maximum															

Analog Input Operating Modes and Controls:

Input Data Buffers:	1 MByte FIFO Buffer: 256 K-Samples. Low latency Buffer: An array of 64 direct-access data registers.
Sample Clock Sources:	Internal rate generator; External Hardware Trigger I/O, Software clock. Continuous, Burst and Single-Sample Clocking Modes.
Rate Generators:	Two 24-Bit Generators, Rate-A and Rate-B; both divide the master clock frequency to the required clock and trigger rates.
External TTL Sync:	Bidirectional TTL Sample Clock and Burst Trigger lines. These signals are duplicated internally through an auxiliary Sync-I/O connector.
Auxiliary Sync I/O:	Four independent bidirectional "PXI" lines in both PMC-P1/P2 and edge-board header.
Input Data Format:	18-Bit data word with appended channel number or last-Channel tag.
Data Format:	Selectable as offset binary or two's complement.
Triggered Bursts:	Data can be acquired in triggered bursts, with up to 1,048,576 samples per burst, or in bursts of indefinite length.
Differential Processing:	A selectable processing option processes input data as 63 pseudo-differential channels (common return) or as 32 full-differential channels.

Host Control Interface Compatibility:

PCI, PMC, cPCI and PC104 Plus:

Conforms to PCI Specification 2.3, with D32 read/write transactions and universal 5V/3.3V signaling..

Supports block-mode DMA transfers as bus master. Provides a multifunction interrupt.

PCI Express:

PCIe Specification revision 2.0; single-lane.

Supports block-mode DMA transfers as bus master.

Physical Parameters

Power Requirements:

PCI, PMC, cPCI and PC104 Plus form factors:

+5.0 VDC \pm 0.25 VDC at: 1.1 Amps typical, 1.4 Amps, maximum

PCI Express Form Factor

+3.3 \pm 0.3VDC at 1.0 Amps typ; 1.2 Amps max. +12.0 \pm 0.8VDC at 0.2 Amp typ; 0.3 Amp max.

Physical Dimensions:

PMC Form Factor

Height: 13.5 mm (0.53 in),

Width: 74.0 mm (2.91 in)

Depth: 143.75 mm (5.66 in)

PCI Express Form Factor

Height: 12.4 mm (0.49 in)

Width: 110.1 mm (4.37 in)

Depth: 167.6 mm (6.60 in)

Environmental Specifications:

Ambient Temperature Range:

Standard Temperature:

Operating: 0 to +70 Degrees Celsius *

Storage: -40 to +85 Degrees Celsius

Extended Temperature:

Operating: -40 to +80 Degrees Celsius *

Storage: -40 to +85 Degrees Celsius

* Air temperature at board surface.

Relative Humidity:

0 to 95%, non-condensing

Altitude:

Operation to 10,000 ft.

Cooling:

Conventional air cooling; 150 LFPM

Ordering Information

Specify the basic product model number followed by an option suffix "-A-B-C-D-E", as indicated below. For example, model number PMC66-18AI64SSC500K-64-49.152M-256K-RTN-0 describes a board with 64 input channels, a 49.152MHz master clock frequency, Standard bandwidth, Standard INP RTN pin, and no custom features.

Basic Model Number	Form Factor
PMC66-18AI64SSC500K	PMC (Native)
PCI66-18AI64SSC500K ¹	PCI, short length
Cpci66-18AI64SSC500K ¹	cPCI, 3U
PCle66-18AI64SSC500K ¹	cPCI, 3U
PC104P66-18AI64SSC500K	PC104-Plus
PCle10466-18AI64SSC500K ^{1,2}	PCle, one-lane on PC/104 form factor

¹ Module installed and tested on an adapter, with mechanical and functional equivalency. Contact factory for availability in native form factors.

² PCle104 supports only the PCle bus.

Optional Parameter	Value	Specify Option As:
Number of Input Channels	64 Channels	A = 64
	32 Channels	A = 32
Master Clock Frequency ¹	49.152 MHz	B = 49.152M
	---	B = (MHz)M
Custom Input Bandwidth ²	Standard 250kHz	C = 250K
	---	C = (kHz)K
INPUT RTN / CLK I/O pin configuration	Configured as an INPUT RTN pin	D = RTN
	Configured as an active CLK I/O pin.	D = CLK
Custom Feature	No custom features	E = 0 (Zero)

¹ Custom clock frequencies available from 45-50MHz. Call for availability.

² Custom bandwidths available from 100kHz to 1.0MHz. ±20%. Call for availability.

System Interface Connector

Table 1. System I/O Connector

ROW-A		ROW-B	
PI N	SIGNAL	PI N	SIGNAL
1	INP00	1	INP32
2	INP01	2	INP33
3	INP02	3	INP34
4	INP03	4	INP35
5	INPUT RTN	5	INPUT RTN
6	INP04	6	INP36
7	INP05	7	INP37
8	INP06	8	INP38
9	INP07	9	INP39
10	INPUT RTN	10	INPUT RTN
11	INP08	11	INP40
12	INP09	12	INP41
13	INP10	13	INP42
14	INP11	14	INP43
15	INPUT RTN	15	INPUT RTN
16	INP12	16	INP44
17	INP13	17	INP45
18	INP14	18	INP46
19	INP15	19	INP47
20	INPUT RTN	20	INP48
21	INP16	21	INPUT RTN
22	INP17	22	INP49
23	INP18	23	INP50
24	INP19	24	INP51
25	INPUT RTN	25	INP52
26	INP20	26	INP53
27	INP21	27	INPUT RTN
28	INP22	28	INP54
29	INP23	29	INP55
30	INPUT RTN	30	INP56
31	INP24	31	INP57
32	INP25	32	INP58
33	INP26	33	INPUT RTN / CLK I/O ¹
34	INP27	34	INP59
35	INPUT RTN	35	INP60
36	INP28	36	INP61
37	INP29	37	INP62
38	INP30	38	INP63 / CLK IO ²
39	INP31	39	TRIG I/O RTN
40	INPUT RTN	40	TRIG I/O

¹ This pin can be factory configured either as an INPUT RTN. pin or as a CLK I/O pin. See ordering options.
(Note: Configuring this pin as a CLK I/O pin prevents 100% pin-compatibility with the 16AI64SSC board).

² Software-programmable as either analog Input Channel 63, or as a TTL bidirectional CLK-I/O pin.

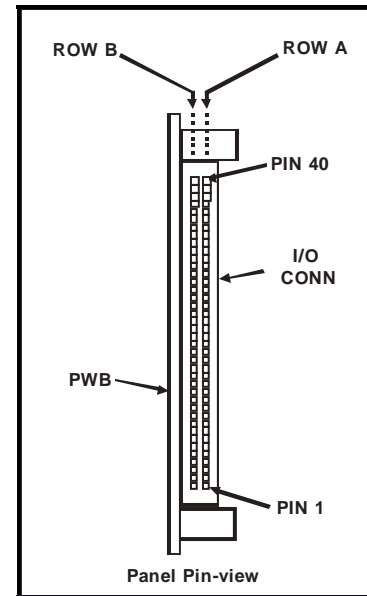


Figure 2. System Input Connector

System Mating Connector:

Standard 80-pin 0.050" dual-ribbon socket connector:

Robinson Nugent P50E-080S-TG, or equivalent.

Table 2. Internal Sync-I/O Connector

SYNC-I/O CONN PIN ¹	SIGNAL
1	DIG RTN
2	AUX CLOCK
3	DIG RTN
4	AUX SYNC
5	DIG RTN
6	Reserved. Connect to INPUT RTN or leave disconnected.

¹ Recommended Sync-I/O mating cable connector is: Molex# 51146-0600.

General Standards Corporation assumes no responsibility for the use of any circuits in this product. No circuit patent licenses are implied. Information included herein supersedes previously published specifications on this product and is subject to change without notice.