

General Standards Corporation

High Performance Bus Interface Solutions

12AI64

64-Channel, 12-Bit Analog Input PMC Board

With 1,500 KSPS Input Conversion Rate

Available in PMC, PCI, cPCI and PC104-Plus and PCI Express form factors as:

PMC-12AI64:	PMC, Single-width
PCI-12AI64:	PCI, short length
cPCI-12AI64:	cPCI, 3U
PC104P-12AI64:	PC104-Plus
PCIe-12AI64:	PCI Express
PCIe104-12AI64:	PCIe, one-lane on PC/104 form factor

See Ordering Information for details.

Call for availability of other form factors, such as XMC, CCPMC, etc.

Features Include:

- 64 Single-ended or 32 Differential 12-Bit Scanned Analog Input Channels
- Sample Rates to 1,500 KSPS per Second in Single-Channel Mode; 1,000 KSPS in Scanning Mode
- Input Ranges Selectable as $\pm 10V$, $\pm 5V$ or $\pm 2.5V$
- 64-Ksample FIFO Data Buffer
- Continuous and Burst (One-Shot) Input Modes
- Sync Input and Output (Alternate Function for Channels 62,63)
- Internal Rate Generator Implements a 32-Bit Divider
- Scan Sizes from 2 to 64 Channels-per-Scan
- Scan Rates Adjustable from 0.01 to 500K Scans-per-Second (2-channel scan)
- Internal Auto calibration; No Host Involvement
- DMA Engine Minimizes Host I/O Overhead
- Dynamic Node Control Minimizes Crosstalk and Input Bias Current
- Completely Software-Configurable; No Field Jumpers
- Single-width PMC Form Factor

Applications Include:

- | | | |
|----------------------------|-----------------------|------------------------------|
| ✓ Acoustics Analysis | ✓ Voltage Measurement | ✓ Automatic Test Equipment |
| ✓ Analog Inputs | ✓ Process Monitoring | ✓ Audio Waveform Analysis |
| ✓ Data Acquisition Systems | ✓ Industrial Robotics | ✓ Environmental Test Systems |

110112

General Standards Corporation

8302A Whitesburg Drive · Huntsville, AL 35802

Phone: (256) 880-8787 or (800) 653-9970 FAX: (256) 880-8788 Email: Solutions@GeneralStandards.com

Functional Description:

The PMC-12AI64 board is a scanning analog digitizer that performs high-speed sampling and 12-bit A/D conversion of as many as 64 single-ended or 32 differential analog input channels. The resulting 12-bit sampled data is available to the PCI bus through a data buffer that is configured as a 64K-Sample FIFO. All operational parameters are software configurable.

The analog inputs can be sampled in scans of 2, 4, 8, 16, 32 or 64 single-ended channels, or in scans of 2, 4, 8, 16 or 32 differential channels. The scan rate can be controlled internally up to 500,000 scans per second for 2-channel scans. Sync input and output signals permit multiple boards to perform synchronous scanning. Input buffer amplifiers on all channels eliminate the high input currents that are produced by nonbuffered multiplexers running at high scan rates.

An internal auto calibration utility uses hardware D/A converters to correct for offset and gain errors in the input signal path, and eliminates the missing codes that are inevitably introduced when software correction methods are used. A selftest switching network routes calibration signals through the input multiplexer to the A/D converter to support internal auto calibration, and permits board integrity to be tested by the host. Auto calibration is performed automatically after reset or upon demand from the PCI bus, and calibrates the offset and gain of the converter to a precision internal reference voltage.

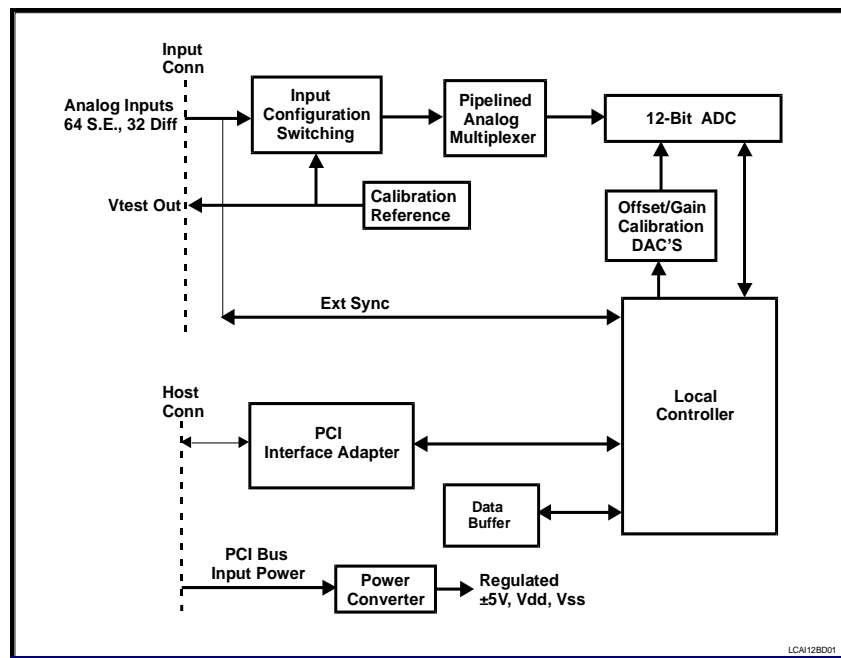


Figure 1. PMC-12AI64; Functional Organization

The product is functionally compatible with the IEEE PCI local bus specification Revision 2.3, and supports the "plug-n-play" initialization concept. System connections are made at the front panel through a high-density 68-pin connector. Power requirements consist of +5 VDC, in compliance with the PCI specification, and operation over the specified temperature range is achieved with conventional convection cooling.

General Standards Corporation

8302A Whitesburg Drive · Huntsville, AL 35802

Phone: (256) 880-8787 or (800) 653-9970 FAX: (256) 880-8788 Email: Solutions@GeneralStandards.com

ELECTRICAL SPECIFICATIONS

At +25 °C, with specified operating conditions

Input Characteristics:

Configuration:	64 single-ended or 32 differential analog input channels
Voltage Ranges:	Software configurable as ± 10 Volts, ± 5 Volts or ± 2.5 Volts
Input Impedance:	1.0 Megohm, independent of scan rate
Common Mode Rejection:	60 dB typical, DC-60 Hz (Differential inputs)
Common Mode Range:	± 10 Volts; differential input configuration
Offset Voltage:	± 3.0 millivolts, maximum
Bias Current:	Less than 80 nanoamps.
Noise:	2.0 LSB-RMS typical
Crosstalk Rejection:	75dB typical, DC-10kHz
Overvoltage Protection:	± 30 Volts with power applied*; ± 15 Volts with power removed.

* Inputs 62,63 (Alternate function TTL Sync I/O) limited to -0.5 to +7.0 Volts

Transfer Characteristics:

Resolution:	12 Bits (0.0244 percent of FSR)												
Maximum Sample Rate:	1,500 KSPS in single-channel mode; 1,000 KSPS (aggregate) in scanning mode												
Scan Rate:	Adjustable internally from 0.01 to 500K scans per second.												
Channels per scan:	2, 4, 8, 16, 32 or 64 Single-ended channels; 2, 4, 8, 16 or 32 differential channels. One channel in single-channel mode.												
DC Accuracy: (Maximum composite error after autocalibration)	<table><thead><tr><th><u>Range</u></th><th><u>Midscale Accuracy</u></th><th><u>\pmFullscale Accuracy</u></th></tr></thead><tbody><tr><td>$\pm 10V$</td><td>$\pm 10mv$</td><td>$\pm 12mv$</td></tr><tr><td>$\pm 5V$</td><td>$\pm 5mv$</td><td>$\pm 7mv$</td></tr><tr><td>$\pm 2.5V$</td><td>$\pm 3mv$</td><td>$\pm 5mv$</td></tr></tbody></table>	<u>Range</u>	<u>Midscale Accuracy</u>	<u>\pmFullscale Accuracy</u>	$\pm 10V$	$\pm 10mv$	$\pm 12mv$	$\pm 5V$	$\pm 5mv$	$\pm 7mv$	$\pm 2.5V$	$\pm 3mv$	$\pm 5mv$
<u>Range</u>	<u>Midscale Accuracy</u>	<u>\pmFullscale Accuracy</u>											
$\pm 10V$	$\pm 10mv$	$\pm 12mv$											
$\pm 5V$	$\pm 5mv$	$\pm 7mv$											
$\pm 2.5V$	$\pm 3mv$	$\pm 5mv$											
Integral Nonlinearity:	± 0.04 percent of FSR, typical												
Differential Nonlinearity:	± 0.024 percent of FSR, maximum												

Analog Input Operating Modes and Controls:

Input Data Buffer:	64K-sample FIFO, with status flags and interrupt.
Analog Input Modes:	Continuous Scan: Analog inputs are scanned continuously
	Burst Scan: Each scan is initiated either by the internal rate generator, or by a hardware TTL input or a software sync input.
	Single Channel: Any single selected channel is sampled continuously
	Selftest: Autocalibration and Selftest modes

General Standards Corporation

8302A Whitesburg Drive · Huntsville, AL 35802

Phone: (256) 880-8787 or (800) 653-9970 FAX: (256) 880-8788 Email: Solutions@GeneralStandards.com

Analog Input Operating Modes and Controls (Continued):

Rate Generator: Programmable from 0.01 - 500,000 scans per second in scanning mode,
0.01 to 1,500,000 samples per second in single-channel mode.
Input Data Format: Selectable as offset binary or as two's complement

Autocalibration:

A single bit in the board control register initiates Autocalibration. During autocalibration, all analog channels are calibrated to a single precision internal voltage reference. Autocalibration has a typical duration of less than one second.

PCI Compatibility:

Conforms to PCI Specification 2.3, D32, 33MHz, 5V signaling.
Supports "plug-n-play" initialization.
Provides one multifunction interrupt.
Supports DMA transfers as bus master.

MECHANICAL AND ENVIRONMENTAL SPECIFICATIONS

Power Requirements

+5VDC \pm 0.2 VDC at 1.1 Amp, maximum
Maximum Power Dissipation: 4.8 Watts, Side 1
0.8 Watt, Side 2

Physical Characteristics (PMC Form Factor)

Height: 13.5 mm (0.53 in)
Depth: 149.0 mm (5.87 in)
Width: 74.0 mm (2.91 in)
Shield: Side 1 can be protected by an optional EMI shield.

Environmental Specifications

Ambient Temperature Range: Operating: 0 to +65 degrees Celsius inlet air
Storage: -40 to +85 degrees Celsius
Relative Humidity: Operating: 0 to 80%, non-condensing
Storage: 0 to 95%, non-condensing
Altitude: Operation to 10,000 ft.
Cooling: Conventional convection cooling

General Standards Corporation

ORDERING INFORMATION

Specify the basic product model number followed by an option suffix "-A", as indicated below. For example, model number PMC-12AI64-2 describes a board with 64 input channels.

Basic Model Number	Form Factor
PMC-12AI64	PMC (Native)
PCI-12AI64¹	PCI, short length
cPCI-12AI64¹	cPCI, 3U
PCle-12AI64¹	cPCI, 3U
PC104P-12AI64	PC104- <i>Plus</i>
PCle104-12AI64^{1,2}	PCle, one-lane on PC/104 form factor

¹ Module installed and tested on an adapter, with mechanical and functional equivalency. Contact factory for availability in native form factors.

² PCle104 supports only the PCle bus.

Optional Parameter	Value	Specify Option As:
Number of Input Channels	32 Channels	A = 1
	64 Channels	A = 2

General Standards Corporation

8302A Whitesburg Drive · Huntsville, AL 35802

Phone: (256) 880-8787 or (800) 653-9970 FAX: (256) 880-8788 Email: Solutions@GeneralStandards.com

SYSTEM I/O CONNECTIONS

Table 1. System I/O Connector Pin Functions

ROW-A			ROW-B		
PIN	SIGNAL		PIN	SIGNAL	
	S.E. MODE	DIFF MODE		S.E. MODE	DIFF MODE
1	INP00	INP00 HI	1	INP32	INP16 HI
2	INP01	INP00 LO	2	INP33	INP16 LO
3	INP02	INP01 HI	3	INP34	INP17 HI
4	INP03	INP01 LO	4	INP35	INP17 LO
5	INP04	INP02 HI	5	INP36	INP18 HI
6	INP05	INP02 LO	6	INP37	INP18 LO
7	INP06	INP03 HI	7	INP38	INP19 HI
8	INP07	INP03 LO	8	INP39	INP19 LO
9	INP08	INP04 HI	9	INP40	INP20 HI
10	INP09	INP04 LO	10	INP41	INP20 LO
11	INP10	INP05 HI	11	INP42	INP21 HI
12	INP11	INP05 LO	12	INP43	INP21 LO
13	INP12	INP06 HI	13	INP44	INP22 HI
14	INP13	INP06 LO	14	INP45	INP22 LO
15	INP14	INP07 HI	15	INP46	INP23 HI
16	INP15	INP07 LO	16	INP47	INP23 LO
17	AGND	AGND	17	AGND	AGND
18	AGND	AGND	18	AGND	AGND
19	INP16	INP08 HI	19	INP48	INP24 HI
20	INP17	INP08 LO	20	INP49	INP24 LO
21	INP18	INP09 HI	21	INP50	INP25 HI
22	INP19	INP09 LO	22	INP51	INP25 LO
23	INP20	INP10 HI	23	INP52	INP26 HI
24	INP21	INP10 LO	24	INP53	INP26 LO
25	INP22	INP11 HI	25	INP54	INP27 HI
26	INP23	INP11 LO	26	INP55	INP27 LO
27	INP24	INP12 HI	27	INP56	INP28 HI
28	INP25	INP12 LO	28	INP57	INP28 LO
29	INP26	INP13 HI	29	INP58	INP29 HI
30	INP27	INP13 LO	30	INP59	INP29 LO
31	INP28	INP14 HI	31	INP60	INP30 HI
32	INP29	INP14 LO	32	INP61	INP30 LO
33	INP30	INP15 HI	33	INP62/ SYNC HI *	INP31 HI/ SYNC HI*
34	INP31	INP15 LO	34	INP63/ SYNC LO*	INP31 LO/ SYNC LO*

* Software-selected.

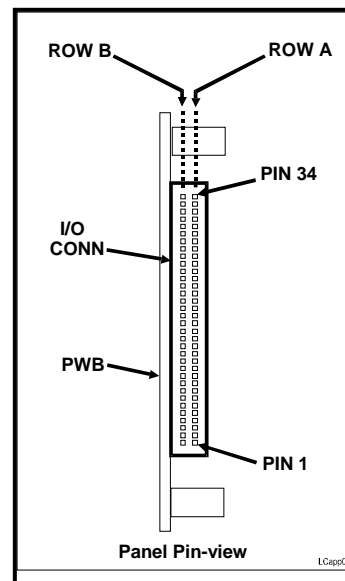


Figure 2. System Input Connector

System Mating Connector:

68-Pin 2-row 0.050" dual-ribbon cable socket connector: Robinson Nugent #P50E-068-S-TG, or equivalent.

Contact factory for availability of the 68-pin AMP SCSI-3 connector.

General Standards Corporation assumes no responsibility for the use of any circuits in this product. No circuit patent licenses are implied. Information included herein supersedes previously published specifications on this product and is subject to change without notice.

General Standards Corporation

8302A Whitesburg Drive · Huntsville, AL 35802

Phone: (256) 880-8787 or (800) 653-9970 FAX: (256) 880-8788 Email: Solutions@GeneralStandards.com