

**General Standards Corporation**  
**High Performance Bus Interface Solutions**

Rev: 110608

***PMC66-16AI32SSC***

**32-CHANNEL DIFFERENTIAL 16-Bit,  
SIMULTANEOUS SAMPLING, PMC ANALOG INPUT BOARD**

***With 200KSPS Sample Rate per Channel,  
66MHz PCI Support, and Optional Time Tagging***

---

**REFERENCE MANUAL**

***--- PRELIMINARY ---***

PMC66-16AI32SSC PRELIMINARY

**TABLE OF CONTENTS**

<b><u>SECTION</u></b>	<b><u>TITLE</u></b>	<b><u>PAGE</u></b>
<b>1.0</b>	<b>INTRODUCTION</b>	1-1
<b>1.1</b>	<b>General Description</b>	1-1
<b>1.2</b>	<b>Functional Overview</b>	1-2
<b>2.0</b>	<b>INSTALLATION AND MAINTENANCE</b>	2-1
<b>2.1</b>	<b>Board Configuration</b>	2-1
<b>2.2</b>	<b>Installation</b>	2-1
2.2.1	Physical Installation	2-1
2.2.2	Input/Output Cable Connections	2-1
<b>2.3</b>	<b>System Configuration</b>	2-3
2.3.1	Analog Inputs	2-3
2.3.1.1	Differential Inputs	2-3
2.3.1.2	Single-Ended Inputs	2-4
2.3.2	External Clock and Sync I/O	2-4
2.3.2.1	External ADC Clocking	2-4
2.3.2.2	External Burst Triggering	2-4
2.3.3	Auxiliary External Clock and Sync I/O	2-5
2.3.4	Multiboard Synchronization	2-5
<b>2.4</b>	<b>Maintenance</b>	2-5
<b>2.5</b>	<b>Reference Verification</b>	2-5
2.5.1	Equipment Required	2-6
2.5.2	Verification and Adjustment	2-6
<b>3.0</b>	<b>CONTROL SOFTWARE</b>	3-1
<b>3.1</b>	<b>Introduction</b>	3-1
<b>3.2</b>	<b>Board Control Register (BCR)</b>	3-1
<b>3.3</b>	<b>Configuration and Initialization</b>	3-2
3.3.1	Board Configuration	3-2
3.3.2	Initialization	3-3
<b>3.4</b>	<b>Analog Input Parameters</b>	3-3
3.4.1	Input Voltage Range	3-3
3.4.2	Active Channel Selection	3-3
3.4.2.1	Predetermined Channel Group	3-3
3.4.2.2	User-Defined Channel Group	3-4
3.4.3	Timing Organization	3-5
3.4.4	Sample Rate Control	3-5
3.4.4.1	Sample Rate Generators	3-6
3.4.4.2	Rate Generator Frequency Control	3-6
3.4.4.3	Generator Cascading	3-7
3.4.5	External Clock and Sync I/O	3-7

**TABLE OF CONTENTS (Continued)**

<b><u>SECTION</u></b>	<b><u>TITLE</u></b>	<b><u>PAGE</u></b>
<b>3.5</b>	<b>Analog Data Control</b>	3-7
3.5.1	Input Data Organization	3-7
3.5.1.1	Input Data Buffer	3-7
3.5.1.2	Data Coding Format	3-8
3.5.2	Input Data Buffer Control	3-9
3.5.3	Analog Input Function Modes	3-9
3.5.3.1	System Analog Inputs	3-10
3.5.3.2	Selftest Modes	3-10
<b>3.6</b>	<b>Autocalibration</b>	3-10
<b>3.7</b>	<b>Interrupt Control</b>	3-11
3.7.1	Local Interrupt Request	3-11
3.7.2	Enabling the PCI Interrupt	3-11
<b>3.8</b>	<b>DMA Operation</b>	3-12
3.8.1	Block Mode	3-12
3.8.2	Demand Mode	3-13
<b>3.9</b>	<b>Auxiliary External Clock and Sync I/O</b>	3-13
<b>3.10</b>	<b>Board Configuration Register</b>	3-14
<b>3.11</b>	<b>Data Packing (16-Bit Data only)</b>	3-15
<b>3.12</b>	<b>Triggered Bursts</b>	3-15
3.12.1	Burst Size and Trigger Source	3-16
3.12.2	Sample Clock Source	3-16
<b>3.13</b>	<b>Settling Time Considerations</b>	3-17
<b>4.0</b>	<b>PRINCIPLES OF OPERATION</b>	4-1
<b>4.1</b>	<b>General Description</b>	4-1
<b>4.2</b>	<b>Analog Inputs</b>	4-2
<b>4.3</b>	<b>Rate Generators</b>	4-2
<b>4.4</b>	<b>Data Buffer</b>	4-2
<b>4.5</b>	<b>Autocalibration</b>	4-2
<b>4.6</b>	<b>Power Control</b>	4-2
<b>App A</b>	<b>Local Control Register Quick Reference</b>	A-1
<b>App B</b>	<b>Migration from CCPMC66-16AI32SSA</b>	B-1
<b>App C</b>	<b>Time Tag Operations</b>	C-1

## LIST OF ILLUSTRATIONS

<b>FIGURE</b>	<b>TITLE</b>	<b>PAGE</b>
1.1-1	Physical Configuration	1-1
1.2-1	Functional Organization	1-2
2.2-1	Mechanical Installation	2-1
2.2-2	System I/O Connector	2-2
2.3-1	Analog Input Configurations	2-3
2.3-2	Multiboard Synchronization	2-5
2.5-1	Reference Adjustment Access	2-6
3.4-1	Sample Clock Organization	3-5
4.1-1	Functional Block Diagram	4-1

## LIST OF TABLES

<b>TABLE</b>	<b>TITLE</b>	<b>PAGE</b>
2.2-1	System I/O Connector Pin Functions	2-2
2.2-2	Auxiliary Clock and Sync I/O Connections	2-2
2.5-1	Reference Verification Equipment	2-6
3.1-1	Control and Data Registers	3-1
3.2-1	Board Control Register (BCR)	3-2
3.3-1	Configuration Operations	3-2
3.4-1	Analog Voltage Range Selection	3-3
3.4-2	Scan and Sync Control Register	3-4
3.4-3	User-Defined Active Channel Assignment	3-5
3.4-4	Rate Generator Control Register	3-6
3.4-5	Rate Generator Frequency Selection	3-6
3.5-1	Input Data Buffer; Nonpacked Data	3-8
3.5-2	Input Data Coding	3-8
3.5-3	Input Data Buffer Control Register	3-9
3.5-4	Buffer Size Register	3-9
3.5-5	Analog Input Function Selection	3-10
3.7-1	Interrupt Control Register	3-12
3.8-1	Typical DMA Registers; Block Mode	3-12
3.8-2	Typical DMA Registers; Demand Mode	3-13
3.9-1	Auxiliary Sync I/O Control	3-14
3.10-1	Board Configuration Register	3-14
3.11-1	Data Packing	3-15
3.12-1	Burst Trigger Source	3-16

PMC66-16AI32SSC PRELIMINARY

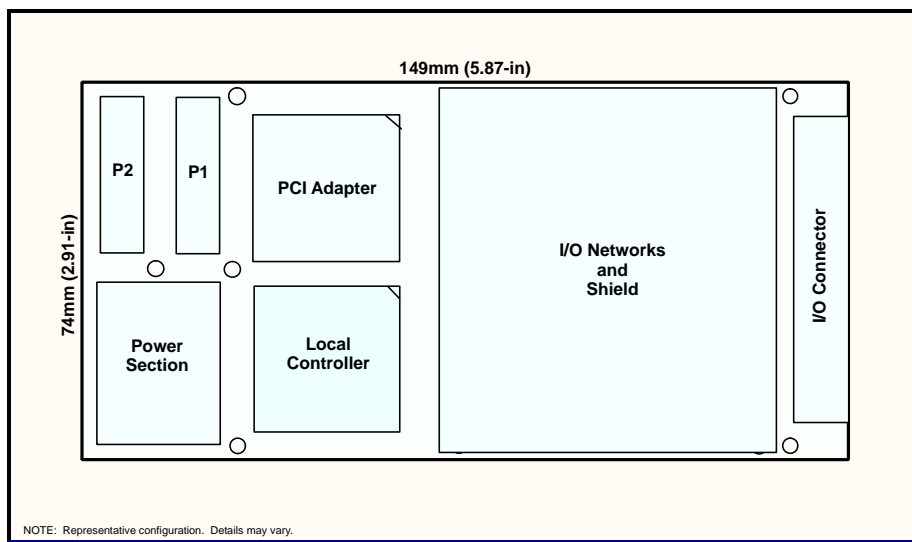
## SECTION 1.0 INTRODUCTION

### 1.1 General Description

The PMC66-16AI32SSC board is a single-width PCI mezzanine card (PMC) that provides high-speed simultaneous 16-bit analog input capability for PMC applications. 32 differential analog input channels can be digitized simultaneously at rates up to 200,000 conversions per second per channel, with software-controlled voltage ranges of  $\pm 10V$ ,  $\pm 5V$  or  $\pm 2.5V$ . Time tagging is available optionally. The board is functionally compatible with the IEEE PCI local bus specification Revision 2.3, and is mechanically and electrically compatible with the IEEE compact mezzanine card (CMC) specification IEEE 1386. A PCI interface adapter supports the "plug-n-play" initialization concept.

Autocalibration determines offset and gain correction values for each input channel, and the corrections are applied subsequently during acquisition. A selftest switching network routes calibration reference signals to each channel through internal selftest switches, and permits board integrity to be verified by the host.

Power requirements consist of +5 VDC from the PCI bus in compliance with the PCI specification, and operation over the specified temperature range is achieved with conventional air cooling. Specific details of physical characteristics and power requirements are contained in the PMC66-16AI32SSC product specification. Figure 1.1-1 shows the physical configuration of the board and the arrangement of major components.



**Figure 1.1-1. Physical Configuration**

The board is designed for minimum off-line maintenance, and includes internal monitoring and autocalibration features that eliminate the need for disconnecting or removing the module from the system for calibration. System input and output connections are made through a high-density front-panel I/O connector. An auxiliary connector on Side-2 of the board provides bidirectional external sync and clock ports for internal multisite synchronization.

## 1.2 Functional Overview

The PMC66-16AI32SSC analog input board samples and digitizes up to 32 input channels simultaneously at rates up to 200,000 samples per second for each channel, with a conversion resolution of 16 bits. Each input channel contains a dedicated successive-approximation (SAR) ADC, the sampled data from which is error-corrected and routed to the PCI bus through a 1-MByte FIFO buffer. The 32-Bit local data path supports full D32 local-bus data packing. Throughput performance is further enhanced with 66MHz PCI support. All operational parameters are software configurable.

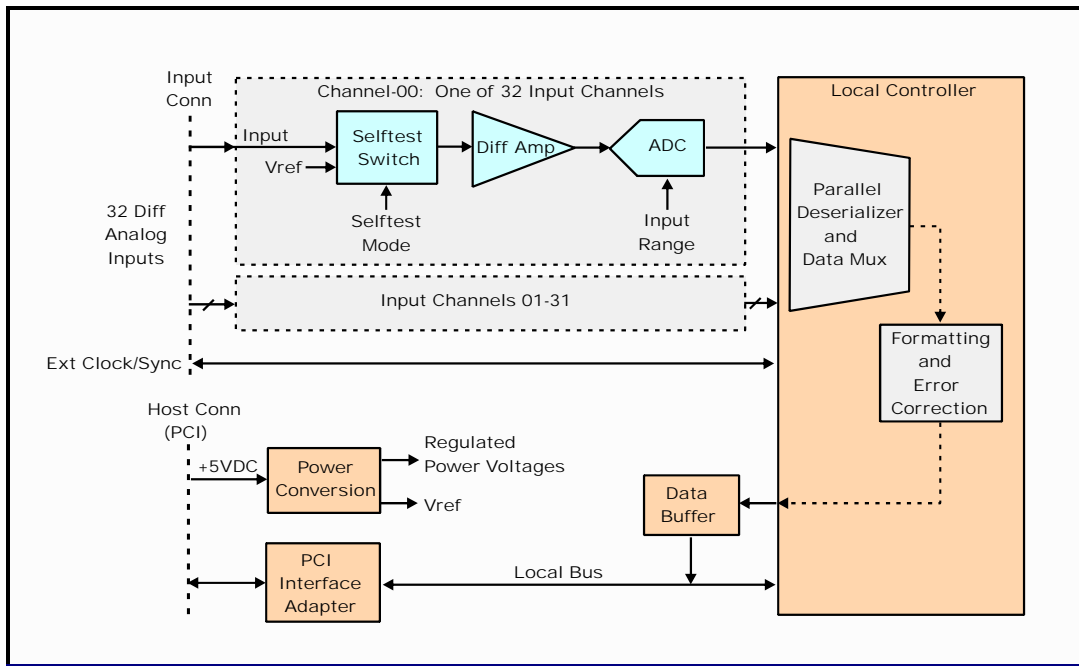


Figure 1.2-1. Functional Organization

Inputs can be sampled in groups of 2, 4, 8, 16, or 32 channels; or any contiguous channel group can be designated for acquisition. The sample clock can be generated from (a) an internal rate generator, (b) by software or (c) by external hardware. Input ranges are software-selectable as  $\pm 10V$ ,  $\pm 5V$  or  $\pm 2.5V$ . An optional time tag feature permits input data to be referenced to 1-microsecond time base.

An on-demand autocalibration feature determines offset and gain correction values for each input channel, and applies the corrections subsequently during acquisition. A selftest switching network routes calibration reference signals to each channel through internal selftest switches, and permits board integrity to be verified by the host.

## SECTION 2.0

### INSTALLATION AND MAINTENANCE

#### 2.1 Board Configuration

This product has no field-alterable configuration features, and is completely configured at the factory for field use.

#### 2.2 Installation

##### 2.2.1 Physical Installation

To minimize the opportunity for accidental damage before installation, the board should be stored in the original protective shipping envelope. System power must be turned OFF before proceeding with the installation.

**CAUTION:** This product is susceptible to damage from electrostatic discharge (ESD). Before removing the board from the conductive shipping envelope, ensure that the work surface, the installer and the host board have been properly discharged to ground.

After removing the board from the shipping envelope, position the board with the three mezzanine connectors P1, P2 and P4 facing the mating connectors J1, J2 and J4 on the host board (Figure 2.2-1). Then carefully press the board into position on the host. Verify that the mezzanine connectors have mated completely and that the board is seated firmly against the host board. Attach the board to the host with 2.5 x 6.5mm panhead screws. Pass the screws through the host board into the corresponding mounting holes in the standoffs and front-panel bezel. Tighten the screws carefully to complete the installation. Do not overtighten.

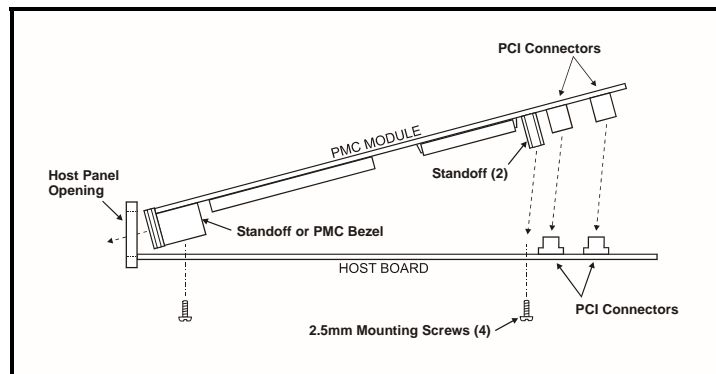


Figure 2.2-1. Mechanical Installation

##### 2.2.2 Input/Output Cable Connections

System I/O connections are made through the 80-Pin front-panel system I/O connector (Figure 2.2-2) with the pin assignments listed in Table 2.2-1. The optional time tag function provides additional digital I/O pins for external synchronization.

Auxiliary Sync I/O connections are made through a low-profile 6-Pin, single-row connector located on the back of the board (Side-2), with the pin assignments shown in Table 2.2-2. The auxiliary sync I/O connector is designed to mate with a Molex cable connector Model 51146-0600.

**Table 2.2-1a. System Input/Output Connector; Standard, Without Time Stamping**

ROW-A	
PIN	SIGNAL
1	INP00 LO
2	INP00 HI
3	INP01 LO
4	INP01 HI
5	INP02 LO
6	INP02 HI
7	INP03 LO
8	INP03 HI
9	INP04 LO
10	INP04 HI
11	INP05 LO
12	INP05 HI
13	INPUT RTN
14	INPUT RTN
15	INP06 LO
16	INP06 HI
17	INP07 LO
18	INP07 HI
19	INP08 LO
20	INP08 HI
21	INP09 LO
22	INP09 HI
23	INP10 LO
24	INP10 HI
25	INP11 LO
26	INP11 HI
27	INPUT RTN
28	INPUT RTN
29	INP12 LO
30	INP12 HI
31	INP13 LO
32	INP13 HI
33	INP14 LO
34	INP14 HI
35	INP15 LO
36	INP15 HI
37	INP16 LO
38	INP16 HI
39	INPUT RTN
40	INPUT RTN

**Table 2.2-1b. System Input/Output Connector; Standard, Without Time Stamping**

ROW-A	
PIN	SIGNAL
1	INP00 LO
2	INP00 HI
3	INP01 LO
4	INP01 HI
5	INP02 LO
6	INP02 HI
7	INP03 LO
8	INP03 HI
9	INP04 LO
10	INP04 HI
11	INP05 LO
12	INP05 HI
13	INPUT RTN
14	INPUT RTN
15	INP06 LO
16	INP06 HI
17	INP07 LO
18	INP07 HI
19	INP08 LO
20	INP08 HI
21	INP09 LO
22	INP09 HI
23	INP10 LO
24	INP10 HI
25	INP11 LO
26	INP11 HI
27	INPUT RTN
28	INPUT RTN
29	INP12 LO
30	INP12 HI
31	INP13 LO
32	INP13 HI
33	INP14 LO
34	INP14 HI
35	INP15 LO
36	INP15 HI
37	INP16 LO
38	INP16 HI
39	INPUT RTN
40	CLOCK RST INP

ROW-B	
PIN	SIGNAL
1	INP17 LO
2	INP17 HI
3	INP18 LO
4	INP18 HI
5	INP19 LO
6	INP19 HI
7	INP20 LO
8	INP20 HI
9	INP21 LO
10	INP21 HI
11	INPUT RTN
12	INPUT RTN
13	INP22 LO
14	INP22 HI
15	INP23 LO
16	INP23 HI
17	INP24 LO
18	INP24 HI
19	INP25 LO
20	INP25 HI
21	INP26 LO
22	INP26 HI
23	INPUT RTN
24	INPUT RTN
25	INP27 LO
26	INP27 HI
27	INP28 LO
28	INP28 HI
29	INP29 LO
30	INP29 HI
31	INP30 LO
32	INP30 HI
33	INP31 LO
34	INP31 HI
35	INPUT RTN
36	REF CLK INP
37	DIG RTN
38	SAMP CLK INP
39	DIG RTN
40	SAMP CLK OUT

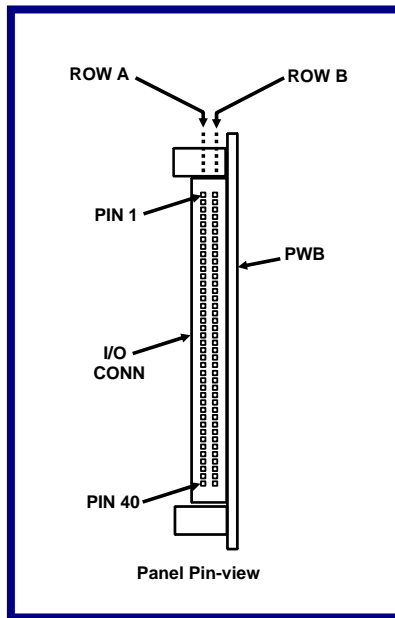


Figure 2.2-2. System I/O Connector

**System Mating Connector:**

Standard 80-pin 0.050" dual-ribbon socket connector:

Robinson Nugent **P50E-080S-TG**  
or equivalent.

Table 2.2-2. Auxiliary Sync I/O Connections

PIN	SIGNAL
1	DIG RTN
2	AUX CLOCK
3	DIG RTN
4	AUX SYNC
5	DIG RTN
6	Reserved. Connect to INPUT RTN or leave disconnected.

Recommended Sync-I/O mating cable connector is:  
Molex# 51146-0600

## 2.3 System Configuration

### 2.3.1 Analog Inputs

The 32 analog input channels can be configured for either differential or single-ended operation. This configuration is determined by external wiring as shown in Figure 2.3-1, and is not affected by application software.

#### 2.3.1.1 Differential Inputs

Differential input operation usually provides the best performance, and is essential when the input signal sources are not isolated from each other or have returns that are at significantly different potentials. A potential difference between grounds is significant if it is larger than the maximum tolerable measurement error.

This operating mode also offers the highest rejection of the common mode noise, which is a characteristic of long cables in typical instrumentation environments. When operating in the differential mode (Figure 2.3-1a), the wire pair from each signal source is connected between the HI(+) and LO(-) inputs of a single input channel. The input return (INPUT RTN in Table 2.2-1) is connected to a ground point which must ensure that the sum of the signal level (**Vsig**) and the common mode voltage (**Vcm**) remain within the range specified for the board. Ground current through the INPUT RTN pins must be limited in order to avoid damage to the cable or the input board.

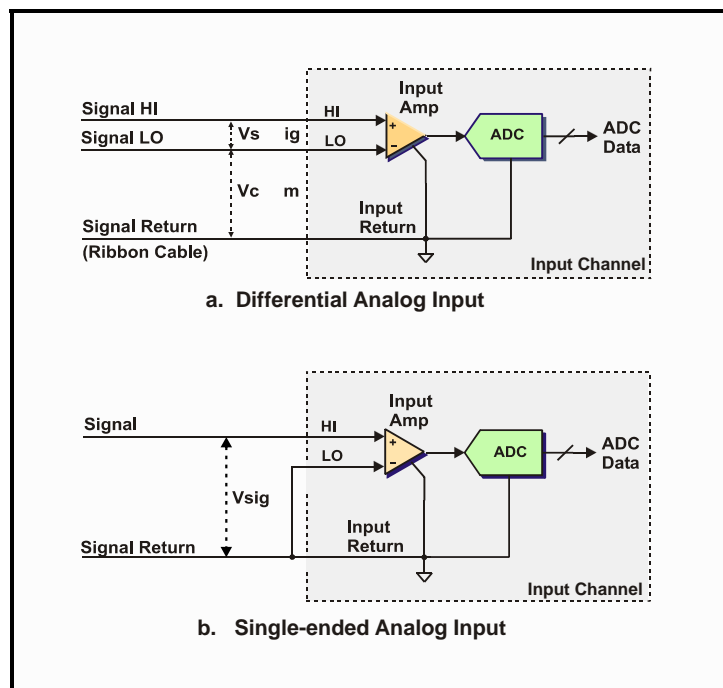


Figure 2.3-1. Analog Input Configurations

### 2.3.1.2 Single-Ended Inputs

Single-ended operation (Figure 2.3-1b) generally provides acceptable performance only when the input signal sources either are isolated from each other, or are common to a single isolated signal return. A single-ended configuration usually is more susceptible to system interference than a differential configuration.

Single-ended inputs share a common input return that provides a return path for all inputs, making isolation from other system grounds a critical issue. If the signal sources are returned externally to system ground when operating in this mode, a potential difference between the system ground and input return can cause erroneous measurements, or could generate potentially destructive ground current.

For applications in which multiple signal sources share a single ground reference or return, the differential configuration is recommended, with all "LO" inputs connected together at the common remote return.

### 2.3.2 External Clock and Sync I/O

NOTE: This section assumes that the Standard board configuration rather than the optional Time Tag board configuration is in effect, and that Table 2.2-1a applies. If the board is configured for optional Time Tag operation, then the following conventions apply:

Time Tagging Disabled (Appendix C):

I/O Pins B38 and B40 function as described here for CLOCK I/O and SYNC I/O, respectively, and Pins A40 and B36 are nonfunctional inputs.

Time Tagging Enabled (Appendix C):

I/O pins A40, B36, B38 and B40 function as described in Appendix C.

The CLOCK I/O and SYNC I/O pins in the I/O connector are bidirectional TTL signals that provide external control of analog input sampling and burst triggering. These signals are referenced to the DIG RTN pin, which is connected internally to PCI digital ground.

When configured as inputs by selection of the target mode, these pins accept clock and triggering signals from any external TTL source, including those originating on another PMC66-16AI32SSC. For boards configured as initiators, the clock and sync pins become outputs that can be used to control external devices, including other PMC66-16AI32SSC boards. Loading of initiator outputs should not exceed 10 milliamps. In the default state after power-up or initialization, both pins are configured as inputs. Clock and sync pins default to inputs (targets), and are pulled up internally to +3.3V through 4.7K-Ohms.

**NOTE: The logic polarities of the clock and sync I/O pins can be inverted by application software.**

#### 2.3.2.1 External ADC Clocking

When the CLOCK I/O pin is configured as an input, all active input channels are sampled on the falling edge of a TTL input signal on this pin. Both the HIGH and LOW states of the clock input must have minimum durations of 100ns.

When configured as an initiator, the CLOCK I/O pin becomes a normally HIGH output that falls for 120-180ns at each occurrence of the internal ADC sample clock.

### 2.3.2.2 External Burst Triggering

When the SYNC I/O pin is configured as an input, a high-to-low TTL transition on this pin can be used to trigger an internal acquisition burst. Both HIGH and LOW sync input states must have durations of 100ns.

When configured as an initiator, the SYNC I/O pin becomes a normally HIGH output that falls for 120-180ns at the initiation of each internal triggered burst.

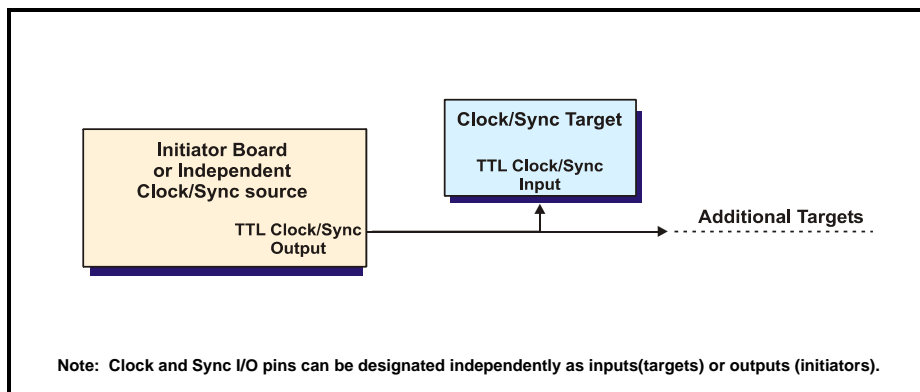
### 2.3.3 Auxiliary External Clock and Sync I/O

Two auxiliary external connections provide an alternate method of synchronizing sample clocking to external events. These TTL connections are available as AUX-CLOCK and AUX-SYNC (Table 2.2-2), and are accessible through a low-profile 6-Pin connector on the back of the board (Side-2).

The AUX I/O pins can be programmed to be asserted either HIGH or LOW, and can be configured individually as inputs or outputs. Active AUX *outputs* produce an output pulse for each internal ADC sample clock or burst trigger. Source and sink load capacity of each output is 8 milliamps. Further details pertaining to these I/O functions are tabulated in Table 3.9-1.

### 2.3.4 Multiboard Synchronization

If multiple boards are to be synchronized together, the CLOCK I/O and/or the SYNC I/O pins from one board, the **initiator**, are connected to the corresponding pins of one or more **target** boards (Figure 2.3-2). The controlling software determines specific clocking and burst triggering functions. The maximum number of targets depends upon both static loading and cable characteristics, and can vary from four to as many as eight.



**Figure 2.3-2. Multiboard Synchronization**

## 2.4 Maintenance

This product requires no scheduled hardware maintenance other than periodic reference verification and possible adjustment. The optimum verification interval will vary, depending upon the specific application, but in most instances an interval of one year is sufficient.

In the event of a suspected malfunction, all associated system parameters, such as power voltages, control bus integrity, and system interface signal levels, should be evaluated before troubleshooting of the board itself is attempted. A board that has been determined to be defective should be returned to the factory for detailed problem analysis and repair.

## 2.5 Reference Verification

All analog input channels are software-calibrated to a single internal voltage reference by an embedded autocalibration firmware utility. The procedure presented here describes the verification and adjustment of the internal reference.

### 2.5.1 Equipment Required

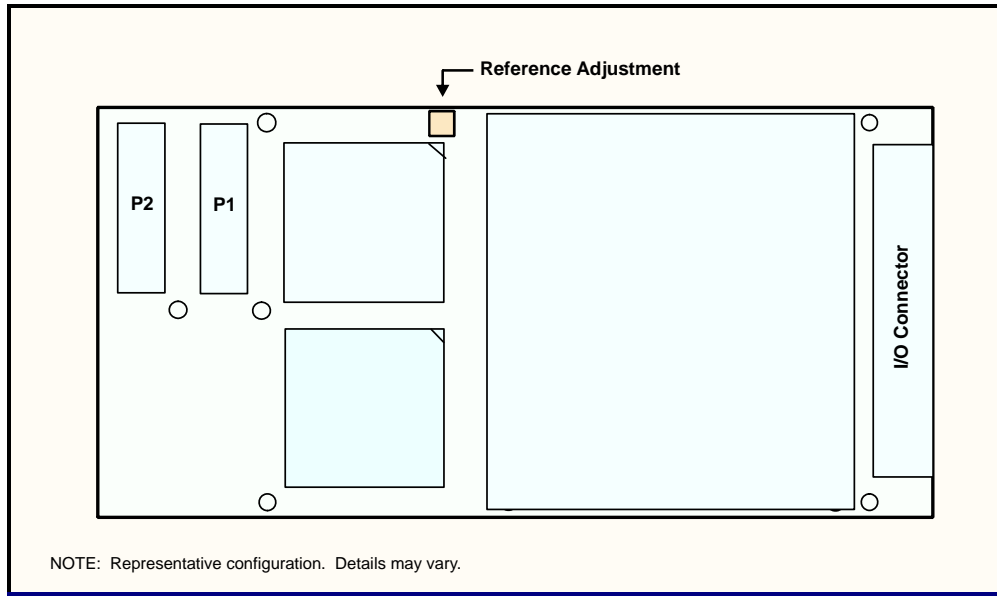
Table 2.5-1 lists the equipment required for verifying or adjusting the internal reference. Alternative equivalent equipment may be used.

**Table 2.5-1. Reference Verification Equipment**

EQUIPMENT DESCRIPTION	MANUFACTURER	MODEL
Digital Multimeter, 5-1/2 digit, 0.005% accuracy for DC voltage measurements at $\pm 10$ Volts.	Hewlett Packard	34401A
Host board with single-width PMC site	(Existing host)	---
Test cable; suitable for connecting the digital multimeter to two 0.02-inch square test posts.	---	---

### 2.5.2 Verification and Adjustment

The following procedure describes the verification of the single reference voltage that ensures conformance to the product specification. Adjustment of the internal reference, if necessary, is performed with an internal trimmer that is accessible as shown in Figure 2.5-1.



**Figure 2.5-1. Reference Adjustment Access**

This procedure assumes that the board to be adjusted is installed on an operational host:

1. Connect the digital multimeter between VCAL (+) Pin-3, and REF RTN (-) Pin-4 in the J2 test connector.
2. If power has been removed from the board, apply power now. Wait at least 10 minutes after power is applied before proceeding..
3. Select the  $\pm 10V$  input range.
4. Verify that the digital multimeter indication is  $+9.9900\text{ VDC} \pm 0.0008\text{ VDC}$ . If the indication is not within this range, adjust the INTERNAL REFERENCE trimmer accordingly.
5. Verification and adjustment is completed. Remove all test connections.

## SECTION 3.0

### CONTROL SOFTWARE

#### 3.1 Introduction

The PMC66-16AI32SSC is compatible with the IEEE PCI Local Bus specification, Revision 2.3. A PLX™ PCI-9056 adapter operating in J-mode controls the PCI interface, and supports both 33MHz and 66MHz PCI clock frequencies, as well as the D32 PCI bus width. Configuration-space registers are initialized internally to support the location of the board on any 64 long-word boundary in memory space. After initialization has been completed, communication between the PCI bus and the local bus takes place through the control and data registers shown in Table 3.1-1. All local data transfers are long-word D32. Specific operational conditions identified throughout this section can invoke a single interrupt request from the board. DMA access is supported for data transfers from the analog input data buffer. The board identifies itself over the PCI bus with device, vendor and subsystem identification codes that are available on the General Standards web site.

**Table 3.1-1. Control and Data Registers**

Offset (Hex) <sup>1</sup>	Register	Access Mode <sup>2</sup>	Default	Primary Function	Ref
0000	BOARD CONTROL (BCR)	RW	0000 4060h	Board Control Register (BCR)	3.2
0004	INTERRUPT CONTROL	RW	0000 0008h	Interrupt conditions and flags	3.7
0008	INPUT DATA BUFFER	RO	XXXX XXXXh	Analog input data buffer	3.5.1
000C	INPUT BUFFER CONTROL	R/W	0003 FFFEh	Input buffer threshold and control	3.5.2
0010	RATE-A GENERATOR	RW	0001 03E8h	Rate-A generator freq selection	3.4.4
0014	RATE-B GENERATOR	RW	0000 2000h	Rate-B generator freq selection	3.4.4
0018	BUFFER SIZE	RO	0000 0000h	Number of values in the input buffer	3.5.2
001C	BURST SIZE	R/W	0000 0001h	Number of sample clocks in a triggered burst.	3.12
0020	SCAN AND SYNC CONTROL	R/W	0000 0005h	Channels per scan; Clock and Sync sources.	3.4.2
0024	ACTIVE CHANNEL ASSIGNMENT	R/W	0000 0100h	Specific first and last active channels.	3.4.2.2
0028	BOARD CONFIGURATION	RO	000X XXXXh	Firmware revision and option straps.	3.10
002C	Autocal Values <sup>3</sup>	R/W	0000 080Xh	Autocal value readback.	---
0030	Auxiliary R/W Register <sup>3</sup>	R/W	0000 0000h	Auxiliary register. For internal use only.	---
0034	AUXILIARY SYNC I/O CONTROL	R/W	0000 0000h	Controls auxiliary sync I/O port	3.9
0038	SCAN MARKER UPPER WORD	R/W	0000 0000h	Packed-data scan marker D[31..16].	3.11
003C	SCAN MARKER LOWER WORD	R/W	0000 0000h	Packed-data scan marker D[15..0].	3.11
0040-004C	(Reserved)	RO	0000 0000h	---	---
0050-00FC	(Time Tag register field)	---	---	---	App-C

<sup>1</sup> Offsets from the PCI base address for local addressing.

<sup>2</sup> R/W = Read/Write; RO = Read-Only.

#### 3.2 Board Control Register (BCR)

The Board Control Register (BCR) controls primary board functions, including the analog input mode and voltage range. Table 3.2-1 provides a brief description of each bit field in the BCR, as well as indicating an associated section in the text.

**Table 3.2-1. Board Control Register (BCR)**

Offset: 0000h

Default: 0000 4060h

Bit	Mode	Designation	Def	Description	Ref
D00-D02	R/W	AIM[2..0]	0	Analog input mode. Selects system inputs or selftest mode. Defaults to System Inputs	3.5.3
D03	R/W	(Reserved)	0	---	---
D04-D05	R/W	RANGE[1..0]	2h	Analog input range. Defaults to ±10V range.	3.4.1
D06	R/W	OFFSET BINARY	1	Selects offset-binary analog I/O data format when asserted HIGH, or two's complement when LOW.	3.5.1.3
D07-D10	R/W	(Reserved)	0h	---	---
D11	R/W	DISABLE SCAN MARKER	0	Disables the scan marker in data packing mode.	3.11
D12	R/W	*INPUT SYNC	0	Produces a single ADC clock when selected in the Scan and Sync Control Register, or a single burst trigger when selected with the Burst On Sync control field.	3.4.3 3.12.1
D13	R/W	*AUTOCAL	0	Initiates an autocalibration operation when asserted.	3.6
D14	RO	AUTOCAL PASS	1	Set HIGH at reset or autocal initialization. A HIGH state after autocal completion confirms a successful calibration.	
D15	R/W	*INITIALIZE	0	Initializes the board when set HIGH. Sets all register defaults.	3.3.2
D16	R/W	BUFFER UNDERFLOW	0	Set HIGH if the buffer is read while empty. Cleared by direct write or by buffer clear.	3.5.2
D17	R/W	BUFFER OVERFLOW	0	Set HIGH if the buffer is written to when full. Cleared by direct write or by buffer clear.	
D18	R/W	ENABLE DATA PACKING	0	Enables local-bus data packing	3.11
D19	R/W	(Reserved)	0	---	---
D20	R/W	ENABLE TIME TAG OPERATION	0	Enables time tagging operations.	App-C
D21-D31	RO	(Reserved)	0	---	---

\* Clears automatically when the associated operation is completed.

### 3.3 Configuration and Initialization

#### 3.3.1 Board Configuration

During *board configuration*, initial values for both the PCI configuration registers and the internal control logic are extracted from internal nonvolatile read-only memory. This process is initiated by a PCI bus reset, and should be required only once after the initial application of power. While the PCI configuration registers are being loaded, the response to PCI target accesses is RETRY's. Configuration operations are executed in the sequence shown in Table 3.3-1. Board configuration terminates with the PCI interrupt disabled.

**Table 3.3-1. Configuration Operations**

Operation	Maximum Duration
PCI configuration registers are loaded from internal ROM	3 ms
Internal control logic is configured from internal ROM	300 ms
Internal control logic is initialized	3 ms

### 3.3.2 Initialization

Internal control logic can be initialized without reconfiguration of the PCI registers by setting the INITIALIZE control bit in the BCR. This action initializes the internal logic, but does not affect the PCI configuration registers and does not reconfigure the internal control logic. Initialization requires 3 milliseconds or less for completion, and produces the following default conditions:

- The BCR is initialized; all defaults are invoked (Table 3.2-1),
- Analog input voltage range is  $\pm 10$  Volts (Tables 3.2-1, 3.4-1),
- All available channels are active (Table 3.4-2),
- Input sample clocking is disabled (Table 3.4-2),
- Rate generator Rate-A is adjusted for a 50 kHz sample rate, and is disabled (Table 3.4-4).
- Analog input data coding format is offset binary; Data packing is disabled (Table 3.2-1),
- The analog input buffer is reset to empty (Table 3.5-3),

Upon completion of initialization, the INITIALIZE control bit is cleared automatically.

## 3.4 Analog Input Parameters

### 3.4.1 Input Voltage Range

BCR control field RANGE[] (Table 3.4-1) selects the analog input voltage range.

**Table 3.4-1. Analog Voltage Range Selection**

Range Select[1:0]	Analog Input Range
0	$\pm 2.5V$
1	$\pm 5$ Volts
2	$\pm 10$ Volts
3	$\pm 10$ Volts

### 3.4.2 Active Channel Selection

NOTE: The Scan and Sync control register (Table 3.4-2) controls the selection of active channels, as well as the configuration of internal timing signals.

#### 3.4.2.1 Predetermined Channel Group

The analog inputs can be sampled in groups of 2, 4, 8, 16 or 32 active channels, or any single channel can be selected for digitizing. The number of active channels is selected by the ACTIVE CHANNELS[] field in the scan and sync control register. Each active channel group commences with Channel-00, and proceeds upward through successive channels to the selected number of channels.

For Single-Channel sampling (ACTIVE CHANNELS[] = 0), the channel to be digitized is selected by the SINGLE-CHANNEL SELECT control field.

**Table 3.4-2. Scan and Sync Control Register**

Offset: 0020h

Default: 0000 0005h

Bit	Mode	Designation	Def	Description
D00-D02	R/W	ACTIVE CHANNELS	5h	Number of active input channels: 0 => Single-Channel mode * 1 => 2 channels (00-01) 2 => 4 channels (00-03) 3 => 8 channels (00-07) 4 => 16 channels (00-15) 5 => 32 channels (00-31); Default value 6 => (Reserved) 7 => Channel group assignment (See Section 3.4.2.2) * Channel selected by Single-Channel Select field below.
D03-D04	R/W	SAMPLE CLOCK SOURCE	0h	Selects the analog input sample clocking source and I/O mode: 0 => External Clock input line (Selects Clock TARGET mode) 1 => Internal Rate-A generator output 2 => Internal Rate-B generator output 3 => BCR Input Sync control bit.
D05	R/W	ENABLE CLOCKING	0	Enables the selected ADC clocking process
D06	R/W	(Reserved)	0	---
D07	RO	BURST BUSY	0	Indicates a burst in progress.
D08-D09	R/W	BURST ON SYNC	0h	Selects bursting trigger source and I/O mode (Section 3.12) 0 => Bursting disabled 1 => Rate-B generator 2 => External Sync-I/O input (Selects Sync TARGET mode) 3 => BCR Input Sync control bit.
D10	R/W	RATE-B CLOCK SOURCE	0	Selects the clock input source for the Rate-B generator: 0 => Master clock 1 => Rate-A generator output.
D11	R/W	INVERT CLOCK AND SYNC I/O	0	Inverts the logic polarities of external clock and sync I/O input and output signals to assert HIGH.
D12-17	R/W	SINGLE-CHANNEL SELECT	0h	Selects the input channel number when operating in the Single-Channel scanning mode.
D18-D31	RO	(Reserved)	0	Inactive

### 3.4.2.2 User-Defined Channel Group

If "Channel group assignment" is selected in the ACTIVE CHANNELS field in the Scan and Sync control register (Table 3.4-2), the first and last active channels are defined by the Active Channels Assignment control register shown in Table 3.4-3. The group of active channels is *contiguous*, beginning with the channel designated by the FIRST CHANNEL SELECT field, and proceeding upward through consecutive channels to and including the channel designated by LAST CHANNEL SELECT. The LAST CHANNEL SELECT field must be equal to or greater than the FIRST CHANNEL SELECT field.

When selection of active channels is user-defined, the context of the "Channel-00" tag in the data buffer (Table 3.5-1) changes to the "First-Channel" tag. For example, if FIRST CHANNEL SELECT = 05, then D16 in the buffer will be HIGH for Channel-05 data, and LOW otherwise. This context change applies also to the scan marker if data packing is enabled (Section 3.11).

**NOTE: The Active Channel Assignment register is monitored for invalid values, and is adjusted automatically to correct assignment errors. The first channel must not be higher than the selected last channel, and the selected last channel must not exceed the highest available channel number.**

**Table 3.4-3. User-Defined Active Channel Assignment**

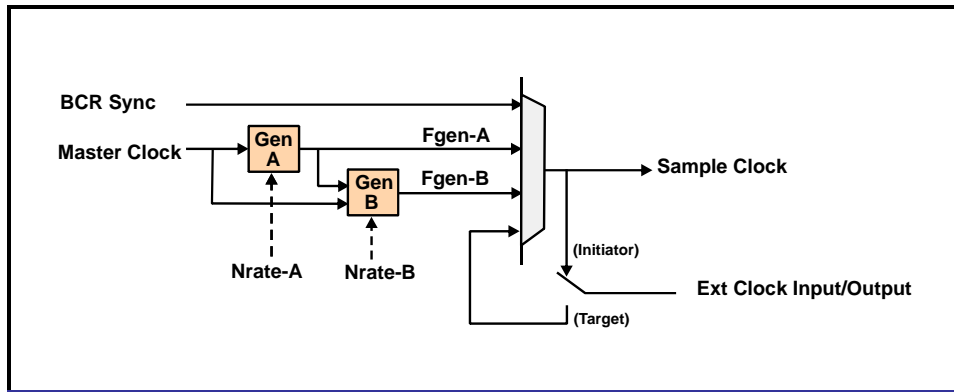
Offset: 0000 0024h

Default: 0000 0100h

Data Bit	Mode	Designation	Default	Description
D00-D07	R/W	FIRST CHANNEL SELECT	0	First (lowest-numbered) active channel
D08-D15	R/W	LAST CHANNEL SELECT	1	Last (highest-numbered) active channel
D16-D31	RO	(Reserved)	0	Inactive. Returns all-zero.

### 3.4.3 Timing Organization

Figure 3.4-1 illustrates the manner in which ADC timing signals are organized within the board. The input sample clock selector is controlled by the Scan and Sync control register, which provides direct software control of clocking and sync operations. The bidirectional external clock I/O pin provides external control of ADC clocking.



**Figure 3.4-1. Sample Clock Organization**

Two internal rate generators operate directly from the master clock frequency, or can be cascaded. A sample clock can be generated by (a) an internal rate generator, (b) the INPUT SYNC control bit in the BCR, or (c) an external clock source. Each sample clock produces a sample of all active input channels.

**NOTE: The logic polarities of the external clock and sync I/O pins can be inverted by setting the INVERT CLOCK AND SYNC I/O control bit HIGH in the Scan and Sync control register (Paragraph 2.3.2 and Table 3.4-2). This inversion does not affect the Auxiliary Clock and Sync logic polarities selected in Table 3.9-1.**

### 3.4.4 Sample Rate Control

All active channels are sampled, or clocked, simultaneously from the source selected by the SAMPLE CLOCK SOURCE control field in the Scan and Sync control register (Table 3.4-2).

**NOTE: ADC sampling (clocking), is disabled while the ENABLE CLOCKING control bit is LOW, or is enabled when this bit is set HIGH.**

3.4.4.1 Sample Rate Generators

Each of two rate generators consists of a 16-bit down-counter that divides the master clock frequency by a 16-bit integer contained in the associated rate control register. The two rate control registers are organized as shown in Table 3.4-4. Bits D00-D15 represent the frequency divisor **Nrate**, and D16 disables the associated generator when set HIGH. D16 defaults to the HIGH (disable) state in the Rate-A control register.

**Table 3.4-4. Rate Generator Control Register**

Offset: 0010h (Rate-A), 0014h (Rate-B)      Default: 0001 02D0h (Rate-A), 0000 2000h (Rate-B)

Data Bit	Mode	Designation	Default	Description
D00-D15	R/W	NRATE	---	Rate generator frequency control
D16	R/W	GENERATOR DISABLE	1	Disables the rate generator when HIGH
D17-D31	RO	(Inactive)	0	---

3.4.4.2 Rate Generator Frequency Control

Each rate generator is controlled by a *divisor* **Nrate** that can be adjusted up to a maximum value of FFFFh (65535 decimal). With a master clock frequency of **Fclk**, the output frequency **Fgen** of each generator is determined as:

$$Fgen (Hz) = Fclk (Hz) / Nrate,$$

where **Nrate** is the decimal equivalent of D00-D15 in the rate generator register (Table 3.4-5). **Fgen** is the sampling frequency, and equals the rate at which all active channels are sampled. **Fclk** has a standard value of 50 MHz, but may have other values depending upon custom ordering options.

The maximum sampling frequency **Fgen-max** is 200 kHz.

**Table 3.4-5. Rate Generator Frequency Selection**

Nrate (RATE[15..0])		Fgen (50 MHz Master Clock)
(Dec)	(Hex)	(Hz)
250	FA	200,000
251	FB	199,203
---	---	Fgen (Hz) = 50,000,000 / Nrate

\* ±0.005 percent.

### 3.4.4.3 Generator Cascading

To obtain very low sampling or burst-triggering rates, the Rate-B generator can be configured with the RATE-B CLOCK SOURCE control field to operate from the output of the Rate-A generator instead of from the master clock. When operating in this *cascaded* configuration, the output frequency of the Rate-B generator is:

$$F_{\text{gen-B}} \text{ (Hz)} = F_{\text{clk}} / (N_{\text{rate-A}} * N_{\text{rate-B}}) ,$$

which can produce sample rates as low as 0.012 Hz with **Fclk** = 50 MHz.

### 3.4.5 External Clock and Sync I/O

Multiple boards can be interconnected externally to produce synchronous analog input sampling and burst triggering. Figure 2.3-2 illustrates the interconnections required. One of the boards is designated as the *Initiator*, and the remaining boards are designated as *targets*.

A board that is enabled for external sync I/O is designated as a **clock target** by selecting 'External Clock Input Line' in the SAMPLE CLOCK SOURCE control field of the Scan and Sync control register. An external clock input signal can originate either from an initiator board, or from an independent TTL source. Any other value for this field designates the board as an **clock initiator**.

A **clock initiator** generates an output clock pulse in conjunction with each internal ADC sample clock, and each of the target boards responds to the clock pulse by acquiring a single sample of all of its designated active channels.

External **burst triggering** I/O is implemented in the same manner as external clocking I/O, but the trigger source is selected through the BURST ON SYNC control field in the Scan and Sync control register, and the SYNC I/O pin provides the external trigger interface connection.

**NOTES: To avoid contention on the SYNC I/O line, all initiator/target designations should be assigned before enabling external sync I/O operation. No more than one board can be designated as an initiator.**

**For optimum autocalibration effectiveness at rates above 50 KSPS, adjust the Rate-A Generator register to the same value on all boards.**

Refer to Paragraph 3.9 for alternative external clock and sync provisions.

## 3.5 Analog Data Control

### 3.5.1 Input Data Organization

Processed conversion data from the analog-to-digital converters (ADC's) flows into the analog input FIFO data buffer, and from the data buffer to the PCI bus as analog input data. The data buffer appears to the PCI bus as a single read-only register.

#### 3.5.1.1 Input Data Buffer

Nonpacked analog input data is right-justified to the LSB, and occupies bit positions D00 through D15 f(Table 3.5-1). D31 is the Channel-00 tag, which is asserted when the data field contains Channel-00 data. The Channel-00 tag is not available for packed data, nor when operating in the optional time-tagging mode (Appendix-C)

The intermediate bit field is all-zero unless two's complement coding is selected, in which case the reserved bits become the sign extension. When selection of active channels is user-defined (3.4.2.2), the context of the "Channel-00 tag" in the data buffer (Table 3.5-1) becomes the "First-Channel tag."

An empty buffer returns an indeterminate value. Refer to Paragraph 3-11 for the configuration of packed data, and for the effect of data packing on buffer contents.

**Table 3.5-1. Input Data Buffer; Nonpacked Data**

<b>Offset: 0008h</b>		<b>Default: N/A</b>	
	<b>Channel-00 Tag</b>	<b>Reserved * (Zero)</b>	<b>Channel Data Value</b>
<b>Data Bit(s)</b>	D[31]	D[30..16]	D[15..0]

All fields are read-only; Write-data is ignored.

### 3.5.1.2 Data Coding Format

Analog input data is arranged in a right-justified data field with the coding conventions shown in Table 3.5-2. The default format is offset binary. Two's complement format is selected by clearing the OFFSET BINARY control bit LOW in the BCR. Unless indicated otherwise, offset binary coding is assumed throughout this document.

**Table 3.5-2. Input Data Coding**

<b>Analog Input Level</b>	<b>Digital Value (Hex)</b>	
	<b>Offset Binary</b>	<b>Two's Complement</b>
	<b>16-Bit Data</b>	<b>16-Bit Data</b>
Positive Full Scale minus 1 LSB	0000 FFFF	0000 7FFF
Zero (Midscale)	0000 8000	0000 0000
Zero minus 1 LSB	0000 7FFF	0000 FFFF
Negative Full Scale	0000 0000	0000 8000

### 3.5.2 Input Data Buffer Control

The Input Data Buffer control register shown in Table 3.5-3 controls and monitors the flow of data through the analog input data buffer. Asserting the CLEAR BUFFER control bit HIGH clears, or empties, the buffer. The Threshold Flag is HIGH when the number of values in the input data buffer **exceeds the input threshold value** defined by bits D00-D17, and is LOW if the number is equal to or less than the threshold value. An interrupt (Section 3.7) can be programmed to occur on either the rising or falling edge of the threshold flag.

The Buffer Size register shown in Table 3.5-4 contains the number of locations occupied in the buffer, and is updated continuously. **If data packing is enabled and scan marking is disabled (3.11), the number of samples present in the buffer is twice the value contained in the Buffer Size register.**

Buffer underflow and overflow flags in the BCR indicate that the buffer has been read while empty or written to when full. Each of these situations is indicative of data loss. Once set HIGH, each flag remains HIGH until cleared, either by directly clearing the bit LOW or by clearing the buffer or initializing the board.

**Table 3.5-3. Input Data Buffer Control Register**

Offset: 000Ch

Default: 0003 FFFEh

Data Bit	Mode	Designation	Def	Description
D00-D17	R/W	THRESHOLD VALUE	FFFEh	Input buffer threshold value.
D18	R/W	CLEAR BUFFER *	0	Clears (empties) the input buffer and processing pipeline when asserted HIGH.
D19	RO	THRESHOLD FLAG	0	Asserted HIGH when the number of values in the input buffer exceeds the THRESHOLD VALUE.
D20-D31	RO	(Inactive)	0	---

\*Clears automatically within 200ns of being set

**Table 3.5-4. Buffer Size Register**

Offset: 0018h

Default: 0000 0000h

Data Bit	Mode	Designation	Def	Description
D00-D18	RO	BUFFER SIZE	00000h	Number of locations occupied in the input buffer
D19-D31	RO	(Inactive)	0	---

### 3.5.3 Analog Input Function Modes

BCR control field AIM[] selects the analog input signal source, and provides selftest modes for monitoring the integrity of the analog input networks. Table 3.5-5 summarizes the input function modes.

### 3.5.3.1 System Analog Inputs

With the default value of 'Zero' selected for the AIM[] field in the BCR, all ADC channels are connected to the system analog inputs from the system I/O connector.

**Table 3.5-5. Analog Input Function Selection**

AIM[2:0]	Function or Mode
0	System analog input mode (Default mode).
1	(Reserved)
2	ZERO test. Internal ground reference is connected to all analog input channels.
3	+VREF test. Internal voltage reference is connected to all analog input channels.
4-7	(Reserved)

### 3.5.3.2 Selftest Modes

In the selftest modes, the analog input lines from the system I/O connector are ignored and have no effect on selftest results. Specified board accuracy applies to all selftest measurements, and the averaged values of multiple samples should be used for critical measurements.

The ZERO selftest applies a Zero reference signal to all input channels, and should produce a nominal midscale reading of 0000 8000h for 16-Bit data.

For the +VREF test, a precision reference voltage is applied to all inputs. The +VREF reference voltage equals 99.900% of the positive fullscale value (nominally 0000 FFDFh for 16-Bit data).

## 3.6 Autocalibration

To obtain maximum measurement accuracy, autocalibration should be performed after:

- Power warmup or a PCIbus reset,
- Input range change,
- Sample rate change, if greater than 50 kHz.

Autocalibration is invoked by setting the AUTOCAL control bit HIGH in the BCR, and the control bit returns LOW automatically at the end of autocalibration. Autocalibration can be invoked at any time, and has a duration of approximately 1.0 second. Completion of the operation can be detected either by selecting the 'Autocalibration Operation Completed' interrupt condition (paragraph 3.7) and waiting for the interrupt request, or by simply waiting a sufficient amount of time to ensure that autocalibration has been completed.

A small error can be introduced when the input range is changed, or when a large change occurs in the sample rate. Performing autocalibration with the required sample rate selected eliminates this error. During autocalibration, no control settings are altered and external analog input signals are ignored.

To compensate for component aging, and to minimize the effects of temperature on accuracy, the autocalibration function determines the optimum calibration values for current conditions, and stores the necessary correction values in volatile memory. If a board is defective, the autocalibration process may be unable to successfully calibrate the inputs. If this situation occurs, the AUTOCAL PASS status bit in the BCR is cleared LOW at the end of the autocalibration interval, and remains LOW until a subsequent initialization or autocalibration occurs. AUTOCAL PASS is initialized HIGH, and remains HIGH unless an autocalibration failure occurs.

**NOTE: The autocalibration utility uses the contents of the Rate-A generator control register to establish the ADC sample rate used during test-signal acquisition. For optimal calibration effectiveness when clocking the inputs from a source other than the Rate-A generator, adjust the Rate-A generator control register to approximately the value that would produce the expected sample rate (Section 3.4.4).**

### 3.7 Interrupt Control

In order for the board to generate a PCI interrupt, *both* of the following conditions must occur:

- a. The internal controller must generate a Local Interrupt Request (Section 3.7.1)
- b. The *PCI interrupt* must be enabled (Section 3.7.2).

***A local interrupt request will not generate a PCI bus interrupt unless the PCI interrupt has been enabled as outlined in Paragraph 3.7.2.***

#### 3.7.1 Local Interrupt Request

The Interrupt Control Register shown in Table 3.7-1 controls the single local interrupt request line. Two simultaneous source conditions (IRQ 0 and 1) are available for the request, with multiple conditions available for each source. IRQ 0 and 1 are logically OR'd together to produce the single interrupt available to the board.

When one or more selected conditions occur for either of the IRQ's, a local interrupt request is generated and the associated IRQ REQUEST flag bit is set HIGH. The request remains asserted until the PCI bus clears the request flag. A local interrupt request is generated automatically at the end of initialization, through IRQ0.

Interrupt conditions are *edge-sensitive*, and an interrupt request is generated if a selected interrupt condition undergoes a *transition* from 'false' (not-true) to 'true' while that condition is selected.

#### 3.7.2 Enabling the PCI Interrupt

A local interrupt request will not produce an interrupt on the PCI bus unless the PCI interrupt is enabled. The PCI interrupt is enabled by setting the *PCI Interrupt Enable* and *Local Interrupt Input Enable* control bits HIGH in the *Runtime Interrupt Control/Status Register* described in Section 6 of the PLX™ PCI-9056 reference manual.

**Table 3.7-1. Interrupt Control Register**

Offset: 0000 0004h

Default: 0000 0008h

Data Bit	Mode	Designation	Def	Value	Interrupt Event
D00-02	R/W	IRQ0 A0,1,2	0	0	Initialization completed.
				1	Autocalibration operation completed
				2	Input sample initiated (Sync)
				3	Input sample completed (data ready)
				4	Triggered burst initiated (BURST BUSY => HI)
				5	Triggered burst completed (BURST BUSY => LO)
				6-7	(Reserved)
D03	R/W	IRQ0 REQUEST	1*	---	Group 0 interrupt request flag. Set HIGH when the selected interrupt condition occurs. Clears the request when cleared LOW by the bus.
D04-06	R/W	IRQ1 A0,1	0	0	Idle; no interrupt condition selected.
				1	Input buffer threshold LOW-HIGH transition
				2	Input buffer threshold HIGH-LOW transition
				3	Input buffer overflow or underflow
				4-7	(Reserved)
D07	R/W	IRQ1 REQUEST	0	---	Group 1 interrupt request flag. See D03.
D08-31	RO	(Inactive)	0	---	

\* HIGH after reset.

### 3.8 DMA Operation

DMA transfers from the analog input buffer are supported with the board operating as a bus master, in either DMA Channel 00 or Channel 01. Set bit D[02] in the PCI Command register HIGH to select the bus mastering mode. Also, clear D[15] LOW in the PCI-9056 DMA Mode register to select *slow-terminate* operation. Refer to the PCI-9056 reference manual for a detailed description of DMA configuration registers.

#### 3.8.1 Block Mode

Table 3.8-1 illustrates a *typical* PCI register configuration that would control a non-chaining, non-incrementing **block-mode** DMA transfer in DMA Channel 00, in which a PCI interrupt is generated when the transfer has been completed. For typical applications, the DMA Command Status Register would be initialized to 0000 0001h, and then changed to 0000 0003h to initiate a transfer.

**Table 3.8-1. Typical DMA Registers; Block Mode**

PCI Offset <sup>1</sup>	PCI Register	Function	Typical Value
80h	DMA Mode	Bus width (32); Interrupt on done	0002 0D43h
84h	DMA PCI Address	Initial PCI data source address	(Note 2)
88h	DMA Local Address	Initial (constant) local address	0000 0008h
8Ch	DMA Transfer Byte Count	Number of bytes in transfer	(Note 2)
90h	DMA Descriptor Counter	Transfer direction (Local bus to PCI bus)	0000 0008h
A8h (D7:0)	DMA Command/Status	Command and Status Register	01h, 03h (See Text)

<sup>1</sup> From the PCI base address for Memory or I/O access to DMA registers.

<sup>2</sup> Determined by specific transfer requirements.

### 3.8.2 Demand Mode

Demand mode transfers are controlled in a manner similar to block mode transfers, with the addition of **demand-mode** operation selected in the DMA mode register (D[12] = HIGH). Demand mode operation also requires the **slow terminate** mode (D[15] = LOW), which is the default state for this control bit. Table 3.8-2 shows a *typical* PCI register configuration for DMA Channel 00 demand mode operation.

**Table 3.8-2. Typical DMA Registers; Demand Mode**

PCI Offset <sup>1</sup>	PCI Register	Function	Typical Value
80h	DMA Mode	Bus width (32)	0002 1943h
84h	DMA PCI Address	Initial PCI data source address	(Note 2)
88h	DMA Local Address	Initial (constant) local address	0000 0008h
90h	DMA Descriptor Counter	Transfer direction (Local bus to PCI bus)	0000 0008h
A8h (D7:0)	DMA Command/Status	Command and Status Register	01h, 03h (See Text)

<sup>1</sup> From the PCI base address for Memory or I/O access to DMA registers.

<sup>2</sup> Determined by specific transfer requirements.

When operating in demand mode, DMA data transfer from the input buffer is requested continuously by the local controller as long as the buffer contains data.

**NOTE: The PCI-9056 adapter extracts data from the 32-Bit (Lword) local bus in 64-Bit (quad-word) increments. Consequently, if the buffer runs empty or nearly empty, the situation can arise in which the last one or two samples in an active channel group are retained in the buffer until subsequent data is acquired. If this occurs, the next sample set flushes the retained data through the PCI-9056 adapter to the PCI bus, and no samples are lost.**

### 3.9 Auxiliary External Clock and Sync I/O

Two auxiliary external connections provide an alternate method of synchronizing sample clocking and burst triggering to external events. These bidirectional TTL connections are available as AUX CLOCK and AUX SYNC (Table 2.2-2), and when active as *inputs*, replace the corresponding external CLOCK I/O and SYNC I/O inputs in the system I/O connector. The AUX I/O signals are accessible through a 6-Pin connector on the back (Side-2) of the board.

AUX clock and sync signals are designated independently through the Auxiliary Sync I/O Control register as inputs, outputs, or inactive, as indicated in Table 3.9-1. When an AUX signal is designated as an **input**, the signal replaces the corresponding CLOCK I/O or SYNC IO input from the system connector. In order for the input to be acknowledged, **target mode** must be selected in the corresponding clock or sync control field in the Scan and Sync control register (Table 3.4-2). The AUX I/O pins are pulled up internally to +3.3VDC through 4.7K.

Active AUX **outputs** produce an output pulse for each internal ADC sample clock or burst trigger, and are active in both target and initiator clock and sync modes.

AUX *inputs* are edge-detected as LOW-to-HIGH transitions if the INVERT INPUTS control bit is LOW, or as HIGH-to-LOW transitions if the bit is HIGH. Minimum HIGH and LOW level durations are 100ns if the NOISE SUPPRESSION control bit is LOW, or 1.5us if the bit is HIGH. AUX *output pulses* are positive (i.e.: baseline level is LOW) if the INVERT OUTPUTS control bit is LOW, or negative (baseline HIGH) if the control bit is HIGH. Output pulse width is typically 130ns if the NOISE SUPPRESSION control bit is LOW, or 2.0us if the bit is HIGH.

To increase the reliability of external triggering in high-noise environments, selectable noise suppression increases the debounce or detection interval for active inputs, and increases the pulse width of active outputs.

**Table 3.9-1. Auxiliary Sync I/O Control**

Offset: 0000 0034h

Default: 0000 0000h

Data Bit	Mode	Designation	Default	Description
D00-01	R/W	AUX CLOCK Control Mode	0	AUX CLOCK I/O Control Mode: 0 => Inactive 1 => Active Input (LO-to-HI edge) 2 => Active Output (Positive pulse) 3 => (Reserved)
D02-03	R/W	AUX SYNC Control Mode	0	AUX SYNC I/O Control Mode *
D04-05	R/W	(Reserved)	0	---
D06-07	R/W	(Reserved)	0	---
D08	R/W	INVERT INPUTS	0	Active inputs are detected on the LO-to-HI edge when this bit is LOW, or on the HI-to-LO edge when this bit is HIGH.
D09	R/W	INVERT OUTPUTS	0	Active outputs produce HIGH pulses when this bit is LOW, or LOW pulses when this bit is HIGH.
D10	R/W	NOISE SUPPRESSION	0	When LOW, input debounce time is 100ns-135ns and output pulse width is 135ns. When HIGH, input debounce time is 1.5us, and output pulse width is 2.0us.
D11-31	RO	(Reserved)	0	Read-back as all-zero.

\* Same configuration as the AUX CLOCK I/O control mode.

### 3.10 Board Configuration Register

The read-only board configuration register (Table 3.10-1) contains the existing firmware revision, and a status field that indicates the configuration of optional features.

**Table 3.10-1. Board Configuration Register**

Offset: 0000 0028h

Default: 00XX XXXXh

Bit Field	Description
D00-D11	Firmware Revision
D12-D14	(Reserved status flags or revision field).
D15	Product Identification flag: High indicates PMC66-16AI32SSC
D16-D17	Channel Availability: 0 => 32 Channels 1 => 16 Channels 2 => (Reserved) 3 => (Reserved)
D18-D19	Master Clock Frequency: 0 => 50 MHz 1 => (Reserved) 2 => (Reserved) 3 => (Reserved)
D20-D21	Custom Feature: 0 => None 1 => Timestamp 2 => (Reserved) 3 => (Reserved)
D22-D31	(Reserved)

### 3.11 Data Packing

Data packing enables the entire 32-Bit local bus to be used to convey data to the PCI bus. Setting the ENABLE DATA PACKING control bit high in the BCR selects the data packing mode, in which two consecutive 16-bit data values are packed into a single 32-Bit local data longword. In the data packing mode, a 32-bit scan marker code is inserted directly before each Channel-00 data value in the buffer (or immediately before the 'first channel' if the active channels are user-defined (3.4.2.2). **The scan marker can be disabled by setting the DISABLE SCAN MARKER control bit HIGH in the BCR.**

**Table 3.11-1. Data Packing**

Buffer Lword Order	Buffer Data Field					
	ENABLE DATA PACKING = 0 DISABLE SCAN MARKER = X		ENABLE DATA PACKING = 1 DISABLE SCAN MARKER = 0		ENABLE DATA PACKING = 1 DISABLE SCAN MARKER = 1	
	D[31..16]	D[15..0]	D[31..16]	D[15..0]	D[31..16]	D[15..0]
00	8000h	Chan 00 Data	Upper Marker	Lower Marker	Chan 01 Data	Chan 00 Data
01	0000h	Chan 01 Data	Chan 01 Data	Chan 00 Data	Chan 03 Data	Chan 02 Data
02	0000h	Chan 02 Data	Chan 03 Data	Chan 02 Data	Chan 05 Data	Chan 04 Data
03	0000h	Chan 03 Data	Chan 05 Data	Chan 04 Data	Chan 07 Data	Chan 06 Data
---	---	---	---	---	---	---

The scan marker code is defined by the 'Scan Marker Upper Word' and 'Scan Marker Lower Word' registers listed in Table 3.1-1, and is inserted immediately before the first value in each data scan as shown in Table 3.11-1. The lower 16 bits in each register contains one word of the code. The upper 16 bits of these registers are ignored, and should be written as all-zero.

Some applications may require the scan marker code to be absolutely unique and not appear randomly in the data. To support this requirement, an all-zero marker code (0000 0000h) causes every all-zero data value (0000h) to be forced to a unit code (0001h) when data packing is enabled. This arrangement supports the uniqueness requirement without affecting the differential nonlinearity of the data itself.

**NOTE: If the number of active channels is odd-numbered while data packing is enabled, an all-zero data value is inserted directly after the last active channel value. Like all other all-zero data values, the inserted value is forced to a unit code if an all-zero marker is in effect and scan marking is enabled.**

### 3.12 Triggered Bursts

The BURST ON SYNC control field in the Scan and Sync control register (Table 3.4-2) controls the triggering mode for acquisition bursts. Bursting is disabled if this field is zero. For all nonzero values, a sync event, or *trigger*, initiates a **burst** of internal sample clocks, each of which produces a sample of all active channels.

**NOTE: The logic polarities of the external clock and sync I/O pins can be inverted by setting the INVERT CLOCK AND SYNC I/O control bit HIGH in the Scan and Sync control register (Paragraph 2.3.2 and Table 3.4-2). This inversion does not affect the Auxiliary Sync logic polarities selected in Table 3.9-1.**

### 3.12.1 Burst Size and Trigger Source

The number of sample clocks issued during a burst is controlled by the 20-bit **Burst Size control register** listed in Table 3.1-1, which has a range from 1 to 1,048,575 sample clocks. For Burst-Size values of one or greater, the number of sample clocks in a burst equals the value in the register. For example, if a burst size of 10 is selected while 16 channels are active, then each burst will contain 160 sample values. Selection of the burst trigger source is summarized in Table 3.12-1. A Burst-Size of zero produces a burst that extends continuously until stopped, either by disabling the internal clock or by clearing the BURST ON SYNC control field.

The Sync I/O pin in the system I/O connector can operate as an input or output trigger pin. The trigger output can serve as a burst trigger for target boards in which the BURST ON SYNC control field selects the external Sync I/O pin as a trigger source.

**NOTE:** During a triggered burst the BURST BUSY status flag in the Scan and Sync control register goes HIGH at the trigger event, and returns LOW at the end of the burst. Either edge of the BURST BUSY flag is selectable as an interrupt event (Table 3.7-1).

**Table 3.12-1. Burst Trigger Source**

Scan and Sync Register BURST ON SYNC	Burst Trigger Source	Sync I/O Pin
0	Bursting disabled.	Input (Disabled)
1	Rate-B generator.	Trigger Output
2	External Sync I/O input pin (or AUX input)	Trigger Input (Target mode)
3	INPUT SYNC control bit in the BCR.	Trigger Output

### 3.12.2 Sample Clock Source

When operating in the triggered-burst mode, the sample-clock source is selected by the SAMPLE CLOCK SOURCE field in the Scan and Sync control register.

The following sequence illustrates the setup for a typical burst operation, and assumes that ADC clocking is disabled:

1. Select the input range, sample-clock source and burst size, with clocking disabled,
2. Use Table 3.12-1 to select the burst trigger source (enables burst triggering),
3. Load and enable the associated rate generators, if required,
4. Clear the input buffer,
5. Enable ADC sampling by setting the ENABLE CLOCKING control bit HIGH in the Scan and Sync control register.

**NOTE:** ADC sampling, or clocking, is disabled while the ENABLE CLOCKING control bit in the Scan and Sync control register is in the default LOW state. Sampling commences when this bit is set HIGH.

### 3.13 Settling Time Considerations

An abrupt change in the analog configuration generally is followed by a 'settling' interval during which the analog networks are transitioning to a new state, and during which specified performance is suspended. Abrupt changes include:

- A change in voltage range or sample rate,
- A major input step-change,
- Transitioning into or out of a selftest mode, or out of autocalibration,
- A system or local reset,
- Power application.

The settling time required to reestablish specified performance depends upon the type of disruption, and can vary from tens of milliseconds for a change in voltage-range, to as long as 10-15 minutes after the initial application of power. For *most* configuration changes other than the application of power, specified performance should resume after a settling interval of 20-100 milliseconds. Low-frequency filters will extend the settling interval by an amount that depends upon the filter characteristics. In general, the longest settling delay consistent with application requirements should be implemented.

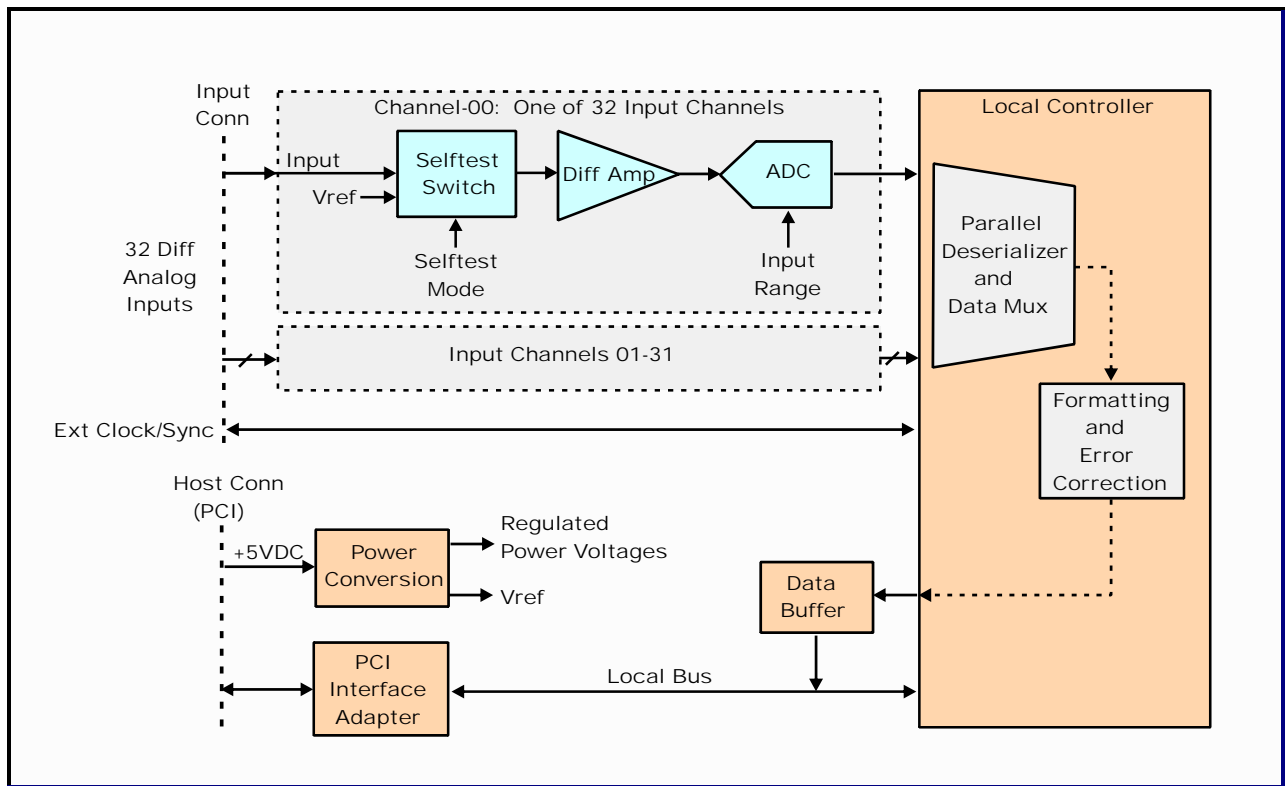
PMC66-16AI32SSC PRELIMINARY

## SECTION 4.0

### PRINCIPLES OF OPERATION

#### 4.1 General Description

Each of 32 differential analog input channels contains a dedicated 18-Bit or 16-Bit ADC, a selftest input switching network, and a differential input amplifier (Figure 4.1-1). A PCI interface adapter provides the interface between the controlling PCI bus and an internal local controller. +5 VDC power from the PCibus is converted into regulated power voltages for the internal analog networks.



**Figure 4.1-1. Functional Block Diagram**

Selftest switches at the inputs provide test signals for autocalibration of all input channels, and the input differential amplifier is biased to accept bipolar input ranges. The input range is controlled by adjusting the ADC reference voltage. Each input sample is corrected for gain and offset errors with calibration values determined during autocalibration. A 1-Megabyte FIFO buffer accumulates analog input data for subsequent retrieval by a PMC host.

Analog input sampling on multiple target boards can be synchronized to a single software-designated initiator board. An interrupt request can be generated in response to selected conditions, including the status of the analog input data buffer.

## 4.2 Analog Inputs

Analog-to-digital conversions can be performed on signals from any of several sources, which are selected by the selftest switches shown in Figure 4.1-1. During normal operation, the ADC's receive system analog input signals from the input connector. For selftest and autocalibration operations, the internal voltage reference can be routed through the selftest switches to the ADC. The input network in each channel provides the necessary offset parameters to support bipolar input ranges.

Serial data from all ADCs are deserialized simultaneously and then multiplexed into a parallel data stream within the local controller. The output of the data multiplexer passes through a digital processor that applies the gain and offset correction values that are obtained during autocalibration. The corrected data is then formatted and loaded into the analog input data buffer.

The inputs can be acquired either continuously or in discrete bursts. Burst triggers can be obtained from various sources, including an external Sync input I/O pin or a 16-Bit divider driven by the internal master clock. The number of samples in a burst is controlled by a 20-Bit Burst Size register.

## 4.3 Rate Generators

The local controller contains two independent rate generators, each of which divides a master clock frequency by a software-controlled 16-bit integer. Either generator can be assigned as a sample-clock or burst-trigger source for the analog inputs, and the generators can be cascaded to produce very long sampling or burst intervals.

## 4.4 Data Buffer

A 1M-Byte FIFO buffer accumulates analog input data for subsequent retrieval by the PCIbus. The buffer is supported by a 'size' register that tracks the number of values in the buffer, and by a threshold flag that can be used to generate an interrupt request when the number of values in the buffer moves above or below a selected count. Local data packing is supported for 16-bit data, and DMA transfers can be implemented in both block and demand modes.

## 4.5 Autocalibration

Autocalibration is an embedded firmware utility that calibrates all analog input channels to a single internal voltage reference. The utility can be invoked at any time by the application software.

An internal voltage reference is used to calibrate the span of each channel, and a zero-reference is used to calibrate the offset value. Correction values determined during autocalibration are applied to each digitized sample as it is acquired during acquisition, and are retained until the autocalibration sequence is repeated, or until power is removed.

## 4.6 Power Control

Regulated supply voltages of  $\pm 5$  VDC and  $\pm 15$  VDC are required for internal analog networks, and are derived from the +5-Volt input provided by the PCI bus, both by switching preregulators and by linear postregulators.

## **APPENDIX A**

### **Local Control Register Quick Reference**

## APPENDIX A Local Control Register Quick Reference

This appendix consolidates the local registers and principal control-bit fields described in Section 3.

**Table 3.1-1. Control and Data Registers**

Offset (Hex) <sup>1</sup>	Register	Access Mode <sup>2</sup>	Default	Primary Function	Ref
0000	BOARD CONTROL (BCR)	RW	0000 4060h	Board Control Register (BCR)	3.2
0004	INTERRUPT CONTROL	RW	0000 0008h	Interrupt conditions and flags	3.7
0008	INPUT DATA BUFFER	RO	XXXX XXXXh	Analog input data buffer	3.5.1
000C	INPUT BUFFER CONTROL	R/W	0003 FFEh	Input buffer threshold and control	3.5.2
0010	RATE-A GENERATOR	RW	0001 03E8h	Rate-A generator freq selection	3.4.4
0014	RATE-B GENERATOR	RW	0000 2000h	Rate-B generator freq selection	3.4.4
0018	BUFFER SIZE	RO	0000 0000h	Number of values in the input buffer	3.5.2
001C	BURST SIZE	R/W	0000 0001h	Number of sample clocks in a triggered burst.	3.12
0020	SCAN AND SYNC CONTROL	R/W	0000 0005h	Channels per scan; Clock and Sync sources.	3.4.2
0024	ACTIVE CHANNEL ASSIGNMENT	R/W	0000 0100h	Specific first and last active channels.	3.4.2.2
0028	BOARD CONFIGURATION	RO	000X XXXXh	Firmware revision and option straps.	3.10
002C	Autocal Values <sup>3</sup>	R/W	0000 080Xh	Autocal value readback.	---
0030	Auxiliary R/W Register <sup>3</sup>	R/W	0000 0000h	Auxiliary register. For internal use only.	---
0034	AUXILIARY SYNC I/O CONTROL	R/W	0000 0000h	Controls auxiliary sync I/O port	3.9
0038	SCAN MARKER UPPER WORD	R/W	0000 0000h	Packed-data scan marker D[31..16].	3.11
003C	SCAN MARKER LOWER WORD	R/W	0000 0000h	Packed-data scan marker D[15..0].	3.11
0040-004C	(Reserved)	RO	0000 0000h	---	---
0050-00FC	(Time Tag register field)	---	---	---	App-C

<sup>1</sup> Offsets from the PCI base address for local addressing.

<sup>2</sup> R/W = Read/Write; RO = Read-Only.

**Table 3.2-1. Board Control Register (BCR)**

Offset: 0000h

Default: 0000 4060h

Bit	Mode	Designation	Def	Description	Ref
D00-D02	R/W	AIM[2..0]	0	Analog input mode. Selects system inputs or selftest mode. Defaults to System Inputs	3.5.3
D03	R/W	(Reserved)	0	---	---
D04-D05	R/W	RANGE[1..0]	2h	Analog input range. Defaults to $\pm 10V$ range.	3.4.1
D06	R/W	OFFSET BINARY	1	Selects offset-binary analog I/O data format when asserted HIGH, or two's complement when LOW.	3.5.1.3
D07-D10	R/W	(Reserved)	0h	---	---
D11	R/W	DISABLE SCAN MARKER	0	Disables the scan marker in data packing mode.	3.11
D12	R/W	*INPUT SYNC	0	Produces a single ADC clock when selected in the Scan and Sync Control Register, or a single burst trigger when selected with the Burst On Sync control field.	3.4.3 3.12.1
D13	R/W	*AUTOCAL	0	Initiates an autocalibration operation when asserted.	3.6
D14	RO	AUTOCAL PASS	1	Set HIGH at reset or autocal initialization. A HIGH state after autocal completion confirms a successful calibration.	
D15	R/W	*INITIALIZE	0	Initializes the board when set HIGH. Sets all register defaults.	3.3.2
D16	R/W	BUFFER UNDERFLOW	0	Set HIGH if the buffer is read while empty. Cleared by direct write or by buffer clear.	3.5.2
D17	R/W	BUFFER OVERFLOW	0	Set HIGH if the buffer is written to when full. Cleared by direct write or by buffer clear.	
D18	R/W	ENABLE DATA PACKING	0	Enables local-bus data packing	3.11
D19	R/W	(Reserved)	0	---	---
D20	R/W	ENABLE TIME TAG OPERATION	0	Enables time tagging operations.	App-C
D21-D31	RO	(Reserved)	0	---	---

\* Clears automatically when the associated operation is completed.

**Table 3.4-1. Analog Voltage Range Selection (BCR field)**

Range Select[1:0]	Analog Input Range
0	$\pm 2.5V$
1	$\pm 5$ Volts
2	$\pm 10$ Volts
3	$\pm 10$ Volts

**Table 3.4-2. Scan and Sync Control Register**

**Offset: 0020h**

**Default: 0000 0005h**

Bit	Mode	Designation	Def	Description
D00-D02	R/W	ACTIVE CHANNELS	5h	Number of active input channels: 0 => Single-Channel mode * 1 => 2 channels (00-01) 2 => 4 channels (00-03) 3 => 8 channels (00-07) 4 => 16 channels (00-15) 5 => 32 channels (00-31); Default value 6 => (Reserved) 7 => Channel group assignment (See Section 3.4.2.2) * Channel selected by Single-Channel Select field below.
D03-D04	R/W	SAMPLE CLOCK SOURCE	0h	Selects the analog input sample clocking source and I/O mode: 0 => External Clock input line (Selects Clock TARGET mode) 1 => Internal Rate-A generator output 2 => Internal Rate-B generator output 3 => BCR Input Sync control bit.
D05	R/W	ENABLE CLOCKING	0	Enables the selected ADC clocking process
D06	R/W	(Reserved)	0	---
D07	RO	BURST BUSY	0	Indicates a burst in progress.
D08-D09	R/W	BURST ON SYNC	0h	Selects bursting trigger source and I/O mode (Section 3.12) 0 => Bursting disabled 1 => Rate-B generator 2 => External Sync-I/O input (Selects Sync TARGET mode) 3 => BCR Input Sync control bit.
D10	R/W	RATE-B CLOCK SOURCE	0	Selects the clock input source for the Rate-B generator: 0 => Master clock 1 => Rate-A generator output.
D11	R/W	INVERT CLOCK AND SYNC I/O	0	Inverts the logic polarities of external clock and sync I/O input and output signals to assert HIGH.
D12-17	R/W	SINGLE-CHANNEL SELECT	0h	Selects the input channel number when operating in the Single-Channel scanning mode.
D18-D31	RO	(Reserved)	0	Inactive

**Table 3.4-3. Active Channel Assignment**

**Offset: 0000 0024h**

**Default: 0000 0100h**

Data Bit	Mode	Designation	Default	Description
D00-D07	R/W	FIRST CHANNEL SELECT	0	First (lowest-numbered) active channel
D08-D15	R/W	LAST CHANNEL SELECT	1	Last (highest-numbered) active channel
D16-D31	RO	(Reserved)	0	Inactive. Returns all-zero.

**Table 3.4-4. Rate Generator Register**

**Offset: 0010h (Rate-A), 0014h (Rate-B)**

**Default: 0001 02D0h (Rate-A), 0000 2000h (Rate-B)**

Data Bit	Mode	Designation	Default	Description
D00-D15	R/W	NRATE	---	Rate generator frequency control
D16	R/W	GENERATOR DISABLE	1	Disables the rate generator when HIGH
D17-D31	RO	(Inactive)	0	---

**Table 3.4-5. Rate Generator Frequency Selection**

Nrate (RATE[15..0])		Fgen (50 MHz Master Clock)
(Dec)	(Hex)	(Hz)
250	FA	200,000
251	FB	199,203
---	---	Fgen (Hz) = 50,000,000 / Nrate

\* ±0.005 percent.

**Table 3.5-1. Input Data Buffer; Nonpacked Data**

Offset: 0008h

Default: N/A

	Channel-00 Tag	Reserved * (Zero)	Channel Data Value
Data Bit(s)	D[31]	D[30..16]	D[15..0]

All fields are read-only; Write-data is ignored.

**Table 3.5-2. Input Data Coding**

	Digital Value (Hex)	
	Offset Binary	Two's Complement
Analog Input Level	16-Bit Data	16-Bit Data
Positive Full Scale minus 1 LSB	0000 FFFF	0000 7FFF
Zero (Midscale)	0000 8000	0000 0000
Zero minus 1 LSB	0000 7FFF	0000 FFFF
Negative Full Scale	0000 0000	0000 8000

**Table 3.5-3. Input Data Buffer Control Register**

Offset: 000Ch

Default: 0003 FFFEh

Data Bit	Mode	Designation	Def	Description
D00-D17	R/W	THRESHOLD VALUE	FFFEh	Input buffer threshold value.
D18	R/W	CLEAR BUFFER *	0	Clears (empties) the input buffer and processing pipeline when asserted HIGH.
D19	RO	THRESHOLD FLAG	0	Asserted HIGH when the number of values in the input buffer exceeds the THRESHOLD VALUE.
D20-D31	RO	(Inactive)	0	---

\*Clears automatically within 200ns of being set

**Table 3.5-4. Buffer Size Register**

**Offset: 0018h**

**Default: 0000 0000h**

Data Bit	Mode	Designation	Def	Description
D00-D18	RO	BUFFER SIZE	00000h	Number of locations occupied in the input buffer
D19-D31	RO	(Inactive)	0	---

**Table 3.5-5. Analog Input Function Selection (BCR field)**

AIM[2:0]	Function or Mode
0	System analog input mode (Default mode).
1	(Reserved)
2	ZERO test. Internal ground reference is connected to all analog input channels.
3	+VREF test. Internal voltage reference is connected to all analog input channels.
4-7	(Reserved)

**Table 3.7-1. Interrupt Control Register**

**Offset: 0000 0004h**

**Default: 0000 0008h**

Data Bit	Mode	Designation	Def	Value	Interrupt Event
D00-02	R/W	IRQ0 A0,1,2	0	0	Initialization completed.
				1	Autocalibration operation completed
				2	Input sample initiated (Sync)
				3	Input sample completed (data ready)
				4	Triggered burst initiated (BURST BUSY => HI)
				5	Triggered burst completed (BURST BUSY => LO)
				6-7	(Reserved)
D03	R/W	IRQ0 REQUEST	1*	---	Group 0 interrupt request flag. Set HIGH when the selected interrupt condition occurs. Clears the request when cleared LOW by the bus.
D04-06	R/W	IRQ1 A0,1	0	0	Idle; no interrupt condition selected.
				1	Input buffer threshold LOW-HIGH transition
				2	Input buffer threshold HIGH-LOW transition
				3	Input buffer overflow or underflow
				4-7	(Reserved)
D07	R/W	IRQ1 REQUEST	0	---	Group 1 interrupt request flag. See D03.
D08-31	RO	(Inactive)	0	---	

**Table 3.8-1. Typical DMA Registers; Block Mode**

PCI Offset <sup>1</sup>	PCI Register	Function	Typical Value
80h	DMA Mode	Bus width (32); Interrupt on done	0002 0D43h
84h	DMA PCI Address	Initial PCI data source address	(Note 2)
88h	DMA Local Address	Initial (constant) local address	0000 0008h
8Ch	DMA Transfer Byte Count	Number of bytes in transfer	(Note 2)
90h	DMA Descriptor Counter	Transfer direction (Local bus to PCI bus)	0000 0008h
A8h (D7:0)	DMA Command/Status	Command and Status Register	01h, 03h (See Text)

<sup>1</sup> From the PCI base address for Memory or I/O access to DMA registers.

<sup>2</sup> Determined by specific transfer requirements.

**Table 3.8-2. Typical DMA Registers; Demand Mode**

PCI Offset <sup>1</sup>	PCI Register	Function	Typical Value
80h	DMA Mode	Bus width (32)	0002 1943h
84h	DMA PCI Address	Initial PCI data source address	(Note 2)
88h	DMA Local Address	Initial (constant) local address	0000 0008h
90h	DMA Descriptor Counter	Transfer direction (Local bus to PCI bus)	0000 0008h
A8h (D7:0)	DMA Command/Status	Command and Status Register	01h, 03h (See Text)

<sup>1</sup> From the PCI base address for Memory or I/O access to DMA registers.

<sup>2</sup> Determined by specific transfer requirements.

**Table 3.9-1. Auxiliary Sync I/O Control**

Offset: 0000 0034h

Default: 0000 0000h

Data Bit	Mode	Designation	Default	Description
D00-01	R/W	AUX CLOCK Control Mode	0	AUX CLOCK I/O Control Mode: 0 => Inactive 1 => Active Input (LO-to-HI edge) 2 => Active Output (Positive pulse) 3 => (Reserved)
D02-03	R/W	AUX SYNC Control Mode	0	AUX SYNC I/O Control Mode *
D04-05	R/W	(Reserved)	0	---
D06-07	R/W	(Reserved)	0	---
D08	R/W	INVERT INPUTS	0	Active inputs are detected on the LO-to-HI edge when this bit is LOW, or on the HI-to-LO edge when this bit is HIGH.
D09	R/W	INVERT OUTPUTS	0	Active outputs produce HIGH pulses when this bit is LOW, or LOW pulses when this bit is HIGH.
D10	R/W	NOISE SUPPRESSION	0	When LOW, input debounce time is 100ns-135ns and output pulse width is 135ns. When HIGH, input debounce time is 1.5us, and output pulse width is 2.0us.
D11-31	RO	(Reserved)	0	Read-back as all-zero.

\* Same configuration as the AUX CLOCK I/O control mode.

**Table 3.10-1. Board Configuration Register**

Offset: 0000 0028h

Default: 00XX XXXXh

Bit Field	Description
D00-D11	Firmware Revision
D12-D14	(Reserved status flags or revision field).
D15	Product Identification flag: High indicates PMC66-16AI32SSC
D16-D17	Channel Availability: 0 => 32 Channels 1 => 16 Channels 2 => (Reserved) 3 => (Reserved)
D18-D19	Master Clock Frequency: 0 => 50 MHz 1 => (Reserved) 2 => (Reserved) 3 => (Reserved)
D20-D21	Custom Feature: 0 => None 1 => Timestamp 2 => (Reserved) 3 => (Reserved)
D22-D31	(Reserved)

**Table 3.11-1. Data Packing**

Buffer Lword Order	Buffer Data Field					
	ENABLE DATA PACKING = 0 DISABLE SCAN MARKER = X		ENABLE DATA PACKING = 1 DISABLE SCAN MARKER = 0		ENABLE DATA PACKING = 1 DISABLE SCAN MARKER = 1	
	D[31..16]	D[15..0]	D[31..16]	D[15..0]	D[31..16]	D[15..0]
00	8000h	Chan 00 Data	Upper Marker	Lower Marker	Chan 01 Data	Chan 00 Data
01	0000h	Chan 01 Data	Chan 01 Data	Chan 00 Data	Chan 03 Data	Chan 02 Data
02	0000h	Chan 02 Data	Chan 03 Data	Chan 02 Data	Chan 05 Data	Chan 04 Data
03	0000h	Chan 03 Data	Chan 05 Data	Chan 04 Data	Chan 07 Data	Chan 06 Data
---	---	---	---	---	---	---

**Table 3.12-1. Burst Trigger Source**

Scan and Sync Register BURST ON SYNC	Burst Trigger Source	Sync I/O Pin
0	Bursting disabled.	Input (Disabled)
1	Rate-B generator.	Trigger Output
2	External Sync I/O input pin (or AUX input)	Trigger Input (Target mode)
3	INPUT SYNC control bit in the BCR.	Trigger Output

## **APPENDIX B**

### **Migration From PMC66-18AI32SSC1M**

## Appendix B

### Migration From PMC66-18AI32SSC1M

Operation of the PMC66-16AI32SSC is similar to that of the PMC66-18AI32SSC1M. This appendix summarizes the principal similarities and differences between the two products, and is provided as a general guide rather than a definitive list of requirements.

#### B.1. Comparison of Features

Table B.1 provides a brief comparison of PMC66-18AI32SSC1M and PMC66-16AI32SSC features.

**Table B.1. CCPMC66-16AI32SSA, PMC66-16AI32SSC Features Comparison**

Feature	PMC66-18AI32SSC1M	PMC66-16AI32SSC
Number of Input Channels	32	32
Conversion Resolution	16 or 18 Bits	16 Bits
Native Input Configuration	Differential	Differential
Input Ranges	$\pm 10V$ and $\pm 5V$	$\pm 10V$ , $\pm 5V$ and $\pm 2.5V$
Sample Rates	0-1MSPS	0-200KSPS
Local Clock	36 MHz	50 MHz
Time Tagging	No	Yes (Optional)
Data Buffer	1M-Byte FIFO	1M-Byte FIFO
Buffer Data Field	32 Active bits	32 Active bits
PCI Interface	PCI 2.3; D32; 33MHz/66MHz	PCI 2.3; D32; 33MHz/66MHz

#### B.2. Migration Issues

**General:** 18-Bit operation is not available.

**Section 2.0. Installation and Maintenance:**

I/O pin assignments have changed.

**Paragraph 3.1. Control and Data Registers:**

Local addressing has been extended from 16 Lwords to 64 Lwords.

**Table 3.1-1. Control and Data Registers:**

The Rate-A Generator control register default value has changed.

**Table 3.4-1. Analog Voltage Range Selection:**

Input ranges extend down to  $\pm 2.5V$ .

**Table 3.5-3. Input Data Buffer Control**

Control bit 'Select 18 Bit Data' has been deleted.

**Paragraph 3.4.4.2. Rate Generator Frequency Control:**

The default master clock frequency has changed from 36 MHz to 50 MHz.

**Table 3.10-1. Board Configuration Register:**

The board configuration register has been modified to conform to applicable production options.

**Appendix C. Time Tag Operations.**

# **APPENDIX C**

## **Time Tag Operations**

PMC66-16AI32SSC PRELIMINARY

**TABLE of CONTENTS**

<b><u>SECTION</u></b>	<b><u>TITLE</u></b>	<b><u>PAGE</u></b>
<b>c1.0</b>	<b>Introduction</b>	<b>c1-1</b>
c1.1	Establishing Time-Tag Operation	c1-1
c1.2	External System I/O Signals	c1-2
<b>c2.0</b>	<b>Time Tag Control</b>	<b>c2-1</b>
c2.1	Time Tag Configuration Register	c2-2
c2.2	Active Channel Selection	c2-2
c2.3	ADC Sample Clock	c2-3
c2.4	Sampling Modes	c2-4
c2.4.1	Triggered Burst Sampling	c2-4
c2.4.1.1	Constant Reference Triggering	c2-5
c2.4.1.2	Tracking Reference Triggering	c2-5
c2.4.1.3	Triggering Scope	c2-5
c2.4.1.4	Triggered Burst Size	c2-5
c2.4.2	Continuous Sampling	c2-6
c2.5	Time Tag Counter	c2-6
c2.5.1	Clock Source	c2-6
c2.5.2	Reset	c2-6
c2.6	Data Buffer Configuration	c2-6
c2-7	Data Coding Format	c2-7

**LIST of ILLUSTRATIONS**

<b><u>Figure .</u></b>	<b><u>TITLE</u></b>	<b><u>PAGE</u></b>
c2-1	ADC Sample Rate Clocking Source	c2-3

**LIST of TABLES**

<b><u>Table .</u></b>	<b><u>TITLE</u></b>	<b><u>PAGE</u></b>
c2-1	Time Tag Control and Status Registers	c2-1
c2-2	Time Tag Configuration (TTC) Register	c2-2
c2-3	Active Channel Mask Register	c2-3
c2-4	Channel Reference/Threshold Control Register	c2-4
c2-5	Data Buffer Configuration	c2-7

PMC66-16AI32SSC PRELIMINARY

## APPENDIX C

### TIME TAG OPERATIONS

#### c1.0 Introduction

Time tagging permits analog input data to be referenced to a software-controlled timebase. In this implementation, the timebase is represented by a 48-Bit time tag counter that is clocked or advanced by a 1.0 microsecond reference clock. The accumulated time tag count can be appended to an input data block as a header that contains the time tag count, as well as additional information pertaining to the size and structure of the data block.

**NOTE: This appendix applies only if the board is factory-configured for time tagging, which is indicated in Table 3.10-1 by the 'Timestamp' selection in the Custom Feature status field.**

#### c1.1 Establishing Time-Tag Operation

The Time-Tag Operational mode is established by setting the ENABLE TIME TAG OPERATION control bit HIGH in the BCR shown in Table 3.2-1. When the time-tag operational mode is established, a block of registers dedicated to time tag operations extends the original register set described in Section 3 of this manual. The operations described in this appendix are applicable only when this control bit is HIGH. If the ENABLE TIME TAG OPERATION control bit is LOW, then this appendix does not apply, and all operations contained in Section 3 are in effect.

**NOTE:** While the time tag operational mode is enabled, the descriptions contained in this appendix supersede those for equivalent operations described in Section 3.

When the time-tag operational mode is enabled, the following control registers and register control fields in the original register set described in Section-3 are ignored, and their functions are either omitted or replaced with equivalent time tag control registers.

<b>Board Control Register (BCR);</b> DISABLE SCAN MARKER INPUT SYNC ENABLE DATA PACKING.	Table 3.2-1:
<b>Rate-B Generator;</b>	Paragraph 3.4.4.
<b>Burst Size Control Register;</b>	Paragraph 3.12.
<b>Scan and Sync Control Register;</b>	Table 3.4-2.
<b>Active Channel Assignment;</b>	Paragraph 3.4.2.2.
<b>Auxiliary Sync I/O Control;</b>	Paragraph 3.9.
<b>Scan Marker Upper Word;</b>	Paragraph 3.11.
<b>Scan Marker Lower Word;</b>	Paragraph 3.11.

## c1.2 External System I/O Signals

The following pins in the system I/O connector are associated with Time Tag operations:

- CLOCK RST INP (input),
- REF CLK INP (input),
- SAMP CLK INP (input),
- SAMP CLK OUT (output).

Logic levels for both inputs and outputs are low-voltage TTL (LVTTTL). All signals are asserted HIGH and pulled up internally to +3.3V through 33K.

**NOTE:** The system I/O connector pinout shown in Table 2.2-1b applies only if the board is operating in the Timetag Operational Mode, with the ENABLE TIME TAG OPERATION control flag set HIGH in the BCR. If this bit is LOW, Table 2.2-1a applies with the exception of Pins A40 and B36, which should be left disconnected.

## c2.0 Time Tag Control

Time tag operations are controlled by the register set shown in Table c2-1. These registers represent an extension of the original field of control registers described in Section 3 of this manual, and are active only when operating in the Time Tag mode. The Time Tag Operational mode is invoked by setting the ENABLE TIME TAG OPERATION control bit HIGH in the BCR.

**Table c2-1. Time Tag Control and Status Registers**

Offset (Hex) <sup>1</sup>	Register	Mode	Default	Primary Function	Ref
0050	TIME TAG CONFIGURATION (TTC)	RW	0000 0000h	Primary control register for time-tag operations.	c2.1
0054	ACTIVE CHANNEL MASK	R/W	FFFF FFFFh	Active channel selection mask.	c2.2
0058	TIME TAG COUNTER LOWER	RO	XXXX XXXXh	Time tag counter lower 32 bits.	c2.5
005C	TIME TAG COUNTER UPPER	RO	0000 XXXXh	Time tag counter upper 16 bits.	c2.5
0060	TIME TAG RATE DIVIDER	R/W	0000 0002h	Rate divider Nrate_timetag for ADC clocking. Minimum valid value = 2.	c2.3
0064	BURST SIZE	R/W	0000 0001h	Number of samples acquired per channel after a trigger occurs.	c2.4.1.4
0068-007C	(Reserved)	RO	0000 0000h	---	---
0080	CHAN00_THRESHOLD/REFERENCE	R/W	4000 8000h	Reference (D00-15) and Threshold (D16-31) values assigned to each input channel.  (Offset = 0080h + 4*Channel Number)	c2.4.1
0084	CHAN01_THRESHOLD/REFERENCE	R/W	4000 8000h		
0088	CHAN02_THRESHOLD/REFERENCE	R/W	4000 8000h		
008C-00F8	CHAN03_THRESHOLD/REFERENCE to CHAN30_THRESHOLD/REFERENCE	R/W	4000 8000h		
00FC	CHAN31_THRESHOLD/REFERENCE	R/W	4000 8000h		

<sup>1</sup> Offset from the PCI base address for local addressing.

### c2.1 Time Tag Configuration Register (TTC)

Primary control of time tag operations takes place through the Time Tag Configuration (TTC) register shown in Table c2-2.

**Table c2-2. Time Tag Configuration (TTC) Register**

Offset: 0050h

Default: 0000 0000h

Bit	Mode	Designation	Def	Description	Ref
D00-01	R/W	ADC SAMPLE CLOCK SOURCE	0	Selects the source of the ADC sample clock: 0 => Internal Rate-A generator. 1 => External 'SAMP CLK INP' input line. 2 => External 'REF CLK INP' input line. 3 => (Reserved).	c2.3
D02	R/W	ENABLE ADC CLOCKING	0	Enables ADC sampling when HIGH. ADC sampling is disabled when LOW.	c2.4
D03	R/W	(Reserved)	0	---	---
D04	R/W	ENABLE REFERENCE TRIGGERING	0	Selects the reference-triggered mode when HIGH, or the free-running mode when LOW.	c2.4
D05	R/W	CONSTANT REFERENCE VALUE	0	Reference values remain unchanged after each trigger when this bit is HIGH, or are updated automatically when LOW.	2.4.1.1
D06	R/W	GLOBAL TRIGGERING	0	All active channels are logged after each trigger when this bit is HIGH, but only triggered channels are logged when LOW.	c2.4.1.3
D07	R/W	(Reserved)	0	---	---
D08	R/W	EXTERNAL REFERENCE CLOCK	0	Selects the external 'REF CLK INP' input line as the time-tag reference clock source when HIGH, or the internal rate generator when LOW.	c2.5.1
D09	R/W	RESET TIME TAG	0	Unconditionally clears the time tag counter to zero when set HIGH.	c2.5.2
D10	R/W	EXTERNAL TIME TAG RESET	0	Selects the external input line 'CLOCK RST INP' as the source of the time tag counter reset when HIGH.	c2.5.2
D11	R/W	ENABLE TIME TAGGING	0	The time tag header is inserted when this bit is HIGH, or is omitted when LOW. Applies in all modes when the time-tag operational mode is invoked.	c2.6
D12-31	RO	(Reserved)	0	---	---

### c2.2 Active Channel Selection

The Active Channel Mask control register shown in Table c2-3 determines which input channels will be acquired or ignored during an acquisition sequence. A channel is designated as **active** by setting the corresponding ACQUIRE CHANNEL xx control bit HIGH, or as **inactive** by clearing the bit LOW. Active channels are sampled and logged into the data buffer during acquisition, while inactive channels are ignored and do not occupy space in the buffer.

**Table c2-3. Active Channel Mask Register**

Offset: 0054h

Default: FFFF FFFFh

Bit	Mode	Designation	Def	Description
D00	R/W	ACQUIRE CHANNEL 00	1	Each bit enables Channel_XX acquisition when set HIGH; or disables Channel_XX acquisition when cleared LOW.  (Control-Bit number equals channel number)
D01	R/W	ACQUIRE CHANNEL 01	1	
D02	R/W	ACQUIRE CHANNEL 02	1	
D03-29	R/W	ACQUIRE CHANNEL 03-29	1	
D30	R/W	ACQUIRE CHANNEL 30	1	
D31	R/W	ACQUIRE CHANNEL 31	1	

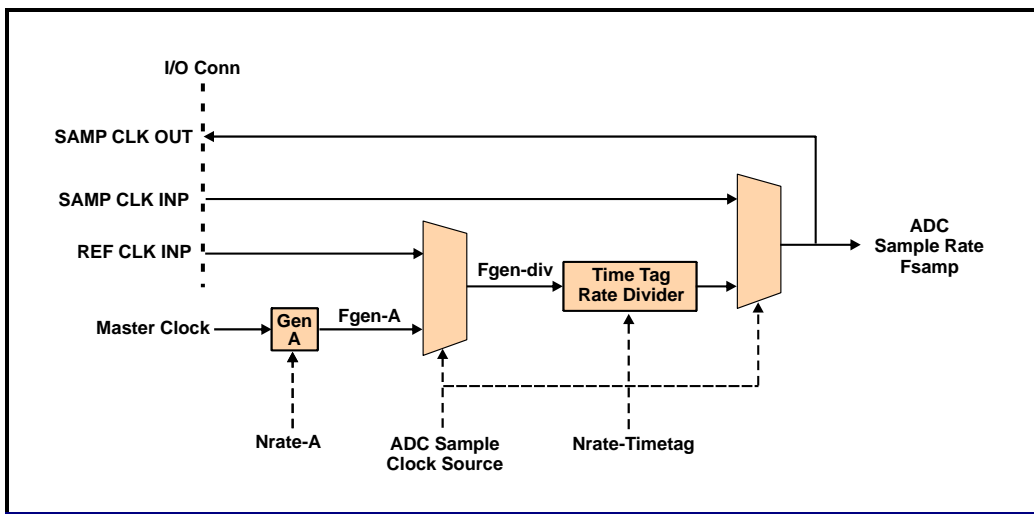
**c2.3 ADC Sample Clock**

The ADC conversion sample clock can be obtained from any of the three sources listed in Table c2.2 under ADC SAMPLE CLOCK SOURCE. Setting this field to equal '1' or '2', selects the external SAMP CLK INP or REF CLK INP input pin respectively, as the source of the ADC sample clock.

If the ADC SAMPLE CLOCK SOURCE control field equals '0' (default), then the internal Rate-A generator supplies the sample clock. The ADC sample rate **F<sub>samp</sub>** (Figure c2-1) is determined by the master clock frequency **F<sub>clk</sub>**, and two integers **N<sub>rate\_A</sub>** and **N<sub>rate\_timetag</sub>** as:

$$F_{\text{samp}} = F_{\text{clk}} / (N_{\text{rate\_A}} * N_{\text{rate\_timetag}}).$$

N<sub>rate\_A</sub> is the value contained in the control register RATE-A GENERATOR shown in Table 3.4-4, and N<sub>rate\_timetag</sub> is the 20-Bit value in the TIME TAG RATE DIVIDER control register listed in Table c2.1. F<sub>clk</sub> has a standard value of **50.000MHz**, although other frequencies are available; see Table 3.10-1. With a 50MHz master clock frequency, the range of sample rates available with the Rate-A generator is 0.00073Hz to 200kHz, in which the 200kHz upper limit is determined by the A/D converters. **The minimum value for N<sub>rate\_A</sub> and N<sub>rate\_timetag</sub> is 2.**



**Figure c2-1. ADC Sample Rate Clock Source**

For a 50MHz master clock frequency, **F<sub>samp</sub>** is:

$$F_{\text{samp}} \text{ (kHz)} = 50,000 / (\text{Nrate\_A} * \text{Nrate\_timetag}).$$

For example, Nrate\_A and Nrate\_timetag values of 2 and 1000 respectively would produce an ADC clocking frequency of 25.000kHz.

**NOTE: The Rate-A generator can be disabled with a control bit in the associated control register (Table 3.4-4). This 'disable' control bit must be LOW in order for the internal rate generator to function.**

If **REF CLK INP** is selected as the clock source, the ADC sample rate **F<sub>samp</sub>** equals the frequency of the selected source divided by the 20-Bit integer **Nrate-timetag**. For the **SAMP CLK INP** source, the ADC sample rate **F<sub>samp</sub>** equals the frequency of the source with no division involved, and simplifies the synchronization of ADC conversions on multiple boards.

When the ENABLE ADC CLOCKING control bit is high in the TimeTag Configuration register, the external output pin **SAMP CLK OUT** provides a 200 nanosecond positive pulse each time an ADC conversion occurs. SAMP CLK OUT is disabled if ENABLE ADC CLOCKING is LOW.

**NOTE: For either external clock source input, REF CLK INP or SAMP CLK INP, the minimum time for both HIGH and LOW levels is 100 nanoseconds.**

## c2.4 Sampling Modes

The analog inputs can be sampled in either a continuous 'free running' mode or in triggered bursts. Triggered Burst sampling is selected when the ENABLE REFERENCE TRIGGERING control bit is HIGH in the TTC register, and Continuous sampling is selected when the control bit is LOW. In the Continuous sampling mode, sampling occurs as long as an active clock source is present and the ENABLE ADC CLOCKING control bit is HIGH. Time tagging can be applied in any sampling mode.

### c2.4.1 Triggered Burst Sampling

When Triggered Burst sampling is selected, data is acquired in discrete bursts, and each burst is initiated by a specific Trigger event. A trigger event is determined by the amplitude of the data in each channel 'xx', and by the values of the following two software-assigned parameters:

- Channelxx Trigger Reference,
- Channelxx Trigger Threshold.

Both of these parameters are 16-Bit integers, and are assigned to each channel as indicated in Table c2-1. The reference and threshold values for each channel are contained in a single **CHANxx\_THRESHOLD/REFERENCE** register (Table c2-4), with the Reference occupying the lower 16 bits and the Threshold occupying the upper 16 bits.

**Table c2-4. Channel Reference/Threshold Control Register**

Offset: 0080h + (4 \* Channel Number)

Default: 4000 8000h

Bit	Mode	Designation	Def	Description
D00-15	R/W	CHANNELxx REFERENCE	8000h	Channel-XX trigger reference
D16-31	R/W	CHANNELxx THRESHOLD	4000h	Channel-XX trigger threshold

If time tagging is enabled, each sample clock latches the current value of the Time Tag counter for insertion into the buffer data header (c2.6).

**NOTE: Trigger events that occur during a triggered burst are ignored. Also, an Interrupt can be generated in response to the initiation or termination of a triggered burst (Table 3.7-1).**

#### c2.4.1.1 Constant Reference Triggering

Constant reference triggering is selected by setting the CONSTANT REFERENCE VALUE control bit HIGH in the TTC register. In this mode, a trigger event occurs when the input data for a channel falls **outside** the range defined by the Channel Reference plus or minus the Channel Threshold value. That is, when:

**Reference minus Threshold > Channel Trigger Amplitude > Reference plus Threshold,**

**or:**

**Amplitude < Reference minus Threshold => Trigger,  
Amplitude > Reference plus Threshold => Trigger.**

While Constant Reference triggering is selected, the assigned reference value is unaffected by a trigger event.

Because trigger-event detection is performed dynamically on a pipelined data stream, modifying a reference or threshold value during acquisition may cause an erroneous response for the ensuing sample.

#### c2.4.1.2 Tracking Reference Triggering

If the CONSTANT REFERENCE VALUE control bit is LOW in the TTC register, then **Tracking Reference triggering** is selected. This mode is identical to the Constant Reference triggering mode, except the reference value is now modified after each trigger event to re-center the triggering window around the trigger amplitude. That is, the reference value is modified to equal the analog input data value.

#### c2.4.1.3 Triggering Scope

If the GLOBAL TRIGGERING control bit is LOW in the TTC register, then only those channels that experience a trigger event will be acquired during the ensuing burst. If the control bit is HIGH, then all active channels will be acquired during the burst, regardless of which channel or channels actually experienced a trigger.

**NOTE: Multiple channels may experience a trigger condition simultaneously. In these instances, the data from all triggered channels will appear in the buffer.**

#### c2.4.1.4 Triggered Burst Size

The number of samples acquired from each channel during a burst is referred to as a Sample Block, and is determined by the 16-bit Burst Size control register listed in Table c2-1 and the number of active channels. For Burst-Size values of one or greater, the number of samples acquired from each input channel equals the value in the register. For example, if a burst size of 10 is selected while 16 channels are active during a burst, then the sample block will contain 160 sample values. A Burst-Size of zero produces a burst that runs continuously until stopped, either by disabling the sampling clock or by clearing the ENABLE REFERENCE TRIGGERING control bit.

**NOTE:** A "**Sample Block**" refers to all data associated with a single **burst trigger**. That is, all data acquired within a single burst.

A "**Sample Scan**" refers to the data acquired from all channels in response to a single **sample clock**.

#### c2.4.2 Continuous Sampling

When operating in the continuous 'free running' sampling mode, data is acquired continuously from all active channels as long as the input data buffer is not full, and if a valid sample clock is selected with ADC SAMPLE CLOCK SOURCE in the TTC register. In this mode, input data accumulates in the buffer as shown in Table c2-5, but all active channels are represented.

### c2.5 Time Tag Counter

The time tag value in the time tag header represents the accumulated count in a 48-bit counter that is advanced once per microsecond by a **1MHz reference clock**, and unless reset (c2.5.2), runs continuously while operating in the time-tagging mode. The entire 48-bit value is latched with each ADC sample clock to prevent rollover errors between the upper and lower bit fields in the data buffer header (c2.6). The latched value appears in the time tag header immediately before the ADC data from the associated sample clock, and is accessible also through two status registers listed in Table c2.1.

#### c2.5.1 Clock Source

The 1MHz reference clock for the time tag counter can be derived from an internal 1MHz generator, or from a 1 MHz external clock source. If the EXTERNAL REFERENCE CLOCK control bit is HIGH in the TTC register, the reference clock is obtained from the REF CLK INP pin in the system I/O connector. If this control bit is LOW, an internal 1 MHz generator provides the reference clock.

#### c2.5.2 Reset

The time tag counter can be cleared to zero at any time by asserting the RESET TIME TAG control bit in the TTC register, or by performing an initialization (3.3.2). The counter will remain cleared as long RESET TIME TAG is asserted. The counter can be cleared also from an external input through the CLOCK RST INP input pin in the system I/O connector when the EXTERNAL TIME TAG RESET control bit is set HIGH in the TTC register. If this control bit is LOW, the external CLOCK RST INP input is ignored.

### c2.6 Data Buffer Configuration

A 48-Bit time tag counter provides a time reference for analog input data, and is included in a time tag header that can be appended to data as it is logged into the data buffer described in Section 3.5.1.1. The structure of the header is shown in Table c2-5. The MSB (D31) of the first longword in each header is set HIGH, to indicate the beginning of a new sample scan.

In addition to time tag information, the header also provides the number (**Nb**) of ADC samples contained in the ensuing sample scan.

The header is appended **in any mode** if the ENABLE TIME TAGGING control bit is HIGH in the Time Tag Configuration (TTC) register. If ENABLE TIME TAGGING is LOW, then the header is omitted and the buffer accumulates only sampled data with the channel number attached to each sample.

Sampled input data in the buffer commences immediately after the header, with the data value occupying the lower half bits of each longword, and the associated channel number located in the upper half. The Channel-00 flag shown in Table 3.5-1 is not applied when operating in the time-tag operational mode.

**Table c2-5. Data Buffer Configuration**

Buffer Lword Order	Segment	D[31..16]	D[15..0]	
0000	Header	8000h	Time Tag; Lower 16 Bits (D15..0]	First Sample Scan
0001		0000h	Time Tag; Intermediate 16 Bits (D31..16]	
0002		0000h	Time Tag; Upper 16 Bits (D47..32]	
0003		0000h	Nb; Number of ADC samples in first sample scan	
0004	Data	First channel number	First-channel data value	
---		Intermediate channel numbers	Intermediate channel data values	
Nb + 4		Last channel number	Last-channel data value	
---	Header	8000h	Time Tag; Lower 16 Bits (D15..0]	Second Sample Scan
---		0000h	Time Tag; Intermediate 16 Bits (D31..16]	
---		0000h	Time Tag; Upper 16 Bits (D47..32]	
---		0000h	Nb; Number of ADC samples in second sample scan	
---	Data	First channel number	First-channel data value	
---		Intermediate channel numbers	Intermediate channel data values	
---		Last channel number	Last-channel data value	
---	---	---	---	(Intermediate scans)
---	Header	8000h	Time Tag; Lower 16 Bits (D15..0]	Last Sample Scan
---		0000h	Time Tag; Intermediate 16 Bits (D31..16]	
---		0000h	Time Tag; Upper 16 Bits (D47..32]	
---		0000h	Nb; Number of ADC samples in last sample scan	
---	Data	First channel number	First-channel data value	
---		Intermediate channel numbers	Intermediate channel data values	
---		Last channel number	Last-channel data value	

**c2.7 Data Coding Format**

When operating in the time-tag mode, the data coding format described in Paragraph 3.5.1.2 applies only to the 16-Bit channel data values in the Data buffer, and to the 16-Bit Reference and Threshold values listed in Table c2-4.

PMC66-16AI32SSC PRELIMINARY

Preliminary Release Revision History:

07-27-2008:	Origination.	Preliminary draft. Appendix-C omitted.
08-04-2008:	Incorporated Appendix-C.	
11-06-2008:	Paragraph c2.4.1.4: Table c2-5:	Added note defining Sample Block and Sample Scan. Appended timetag header to every sample scan.

Copyright (C) 2008 General Standards Corp.

Additional copies of this manual or other General Standards Co. literature may be obtained from:

General Standards Corp.  
8302A Whitesburg Dr.  
Huntsville, Alabama 35802  
Telephone: (256) 880-8787  
FAX: (256) 880-8788

The information in this document is subject to change without notice.

General Standards Corp. makes no warranty of any kind with regard to this material, including, but not limited to, the implied warranties of merchantability and fitness for a particular purpose. Although extensive editing and reviews are performed before release to ECO control, General Standards Corp. assumes no responsibility for any errors that may exist in this document. No commitment is made to update or keep current the information contained in this document.

General Standards Corp. does not assume any liability arising out of the application or use of any product or circuit described herein, nor is any license conveyed under any patent rights or any rights of others.

General Standards Corp. assumes no responsibility resulting from omissions or errors in this manual, or from the use of information contained herein.

General Standards Corp. reserves the right to make any changes, without notice, to this product to improve reliability, performance, function, or design.

All rights reserved.

No part of this document may be copied or reproduced in any form or by any means without prior written consent of General Standards Corp.

**General Standards Corporation**  
*High Performance Bus Interface Solutions*